



E123H-A/E023H-A SERIES *E123H-A/E023H-S*

—5.03mm/6.7mm PITCH WIRE TO BOARD CONNECTOR

● Specifications

Current rating: 4.5A AC,DC

Voltage rating: 250V AC,DC

Temperature range: -25° C to+85° C

(including temperature rise)

Contact resistance: Initial value/10 m Ω Max.

After environmental testing/20m Ω Max.

Insulation resistance: 500M Ω MIN.

Withstanding voltage: 1500V AC/minute

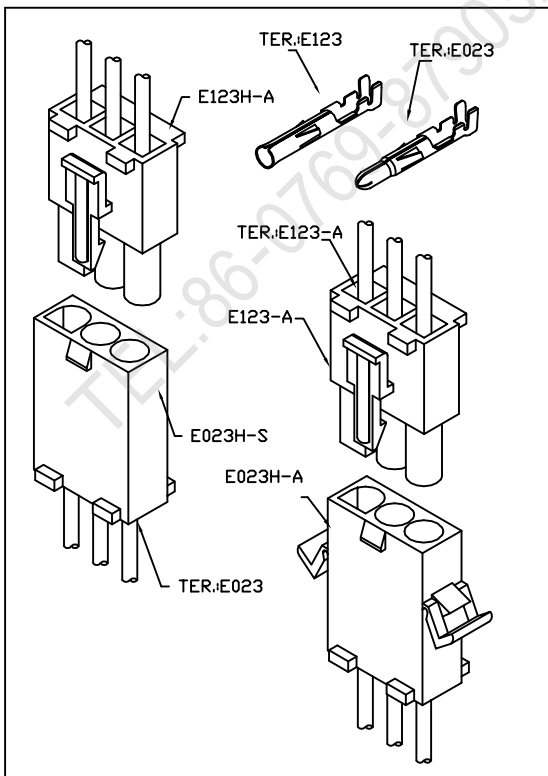
Applicable wire: AWG#18-22

● Standards



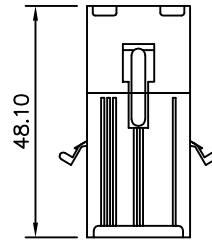
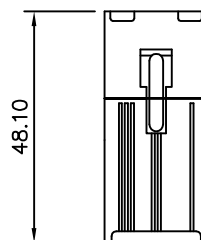
LR84767

Assembly layout

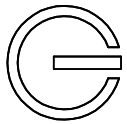


E123H-A
E023H-S

E123H-A
E023H-A



WIRE TO WIRE



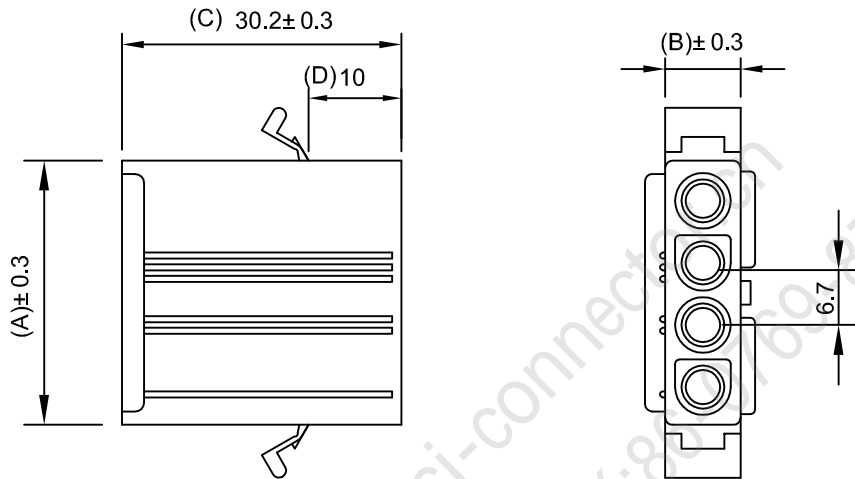
E023H-A

CRIMP HOUSING

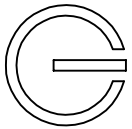
Features:

MAT'L: NYLON 66 UL94-V2

MTES WITH : E023 & E123 SERIES TERMINAL



PART	A	B
E023H-1X1A	8.1	8.1
E023H-1X2A	14.7	8.2
E023H-1X3A	21.7	8.2
E023H-1X4A	28.2	8.2
E023H-3X3A	22.6	21.7
E023H-3X4A	28	21.7



E023H / E123H SERIES E023H-K / E123H-K

—5.03mm/6.7mm PITCH WIRE TO BOARD CONNECTOR

● Specifications

Current rating: 4.5A AC,DC

Voltage rating: 250V AC,DC

Temperature range: -25° C to +85° C

(including temperature rise)

Contact resistance: Initial value/10 m Ω Max.

After environmental testing/20m Ω Max.

Insulation resistance: 500M Ω MIN.

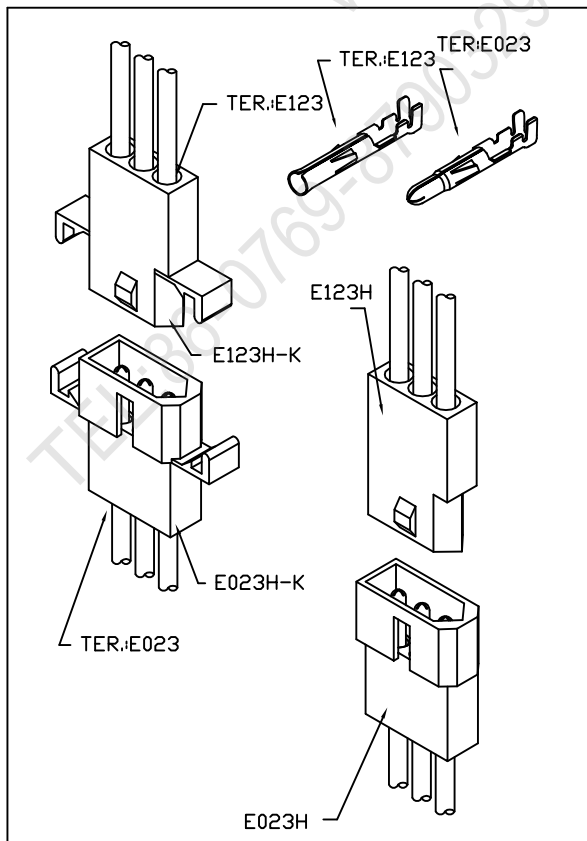
Withstanding voltage: 1500V AC/minute

Applicable wire: AWG#18-22

● Standards

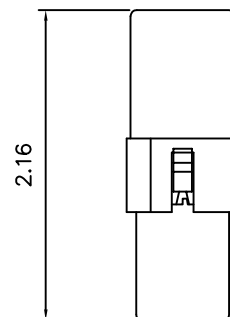


LR84767

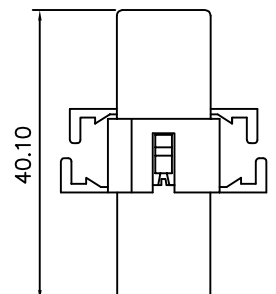


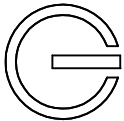
Assembly layout

E023H
E123H



E023H-K
E123H-K





E123H E123H-K

6.3mm 5.03mm PITCH CRIMP HOUSING

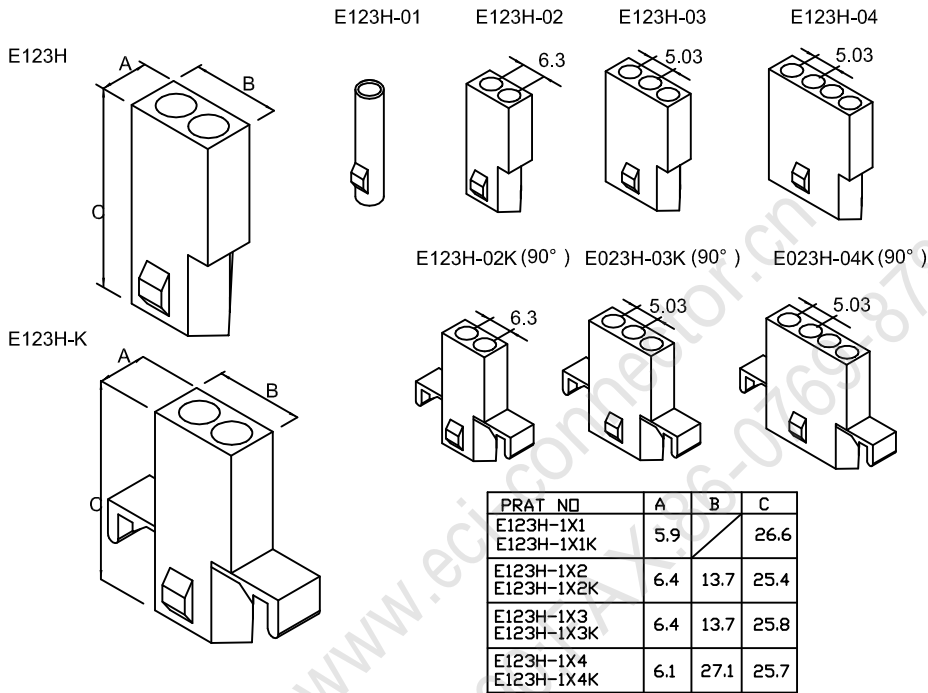
Features:

MAT'L: NYLON 66 UL94-V2

MATES WITH: E123 SERIES TERMINAL

MATES WITH: E023H & E023H-K SERIES HOUSING

unit:mm



E023H E023-K

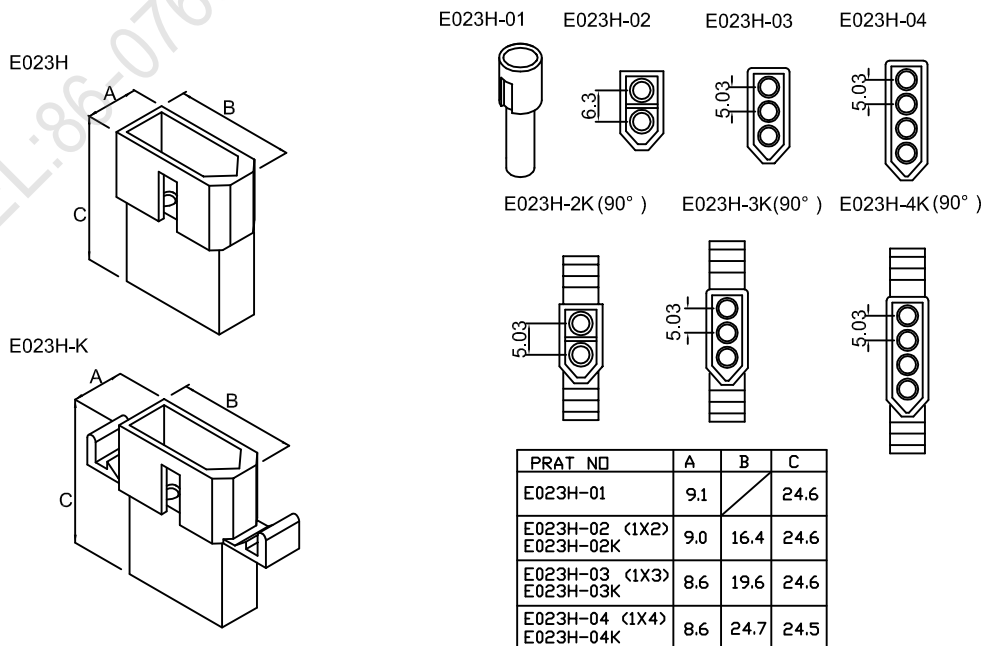
6.3mm 5.03mm PITCH CRIMP HOUSING

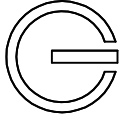
Features:

* MAT'L: NYLON 66 UL94-V2

* MATES WITH: E023 SERIES TERMINAL

* MATES WITH: E123H & E123H-K SERIES HOUSING



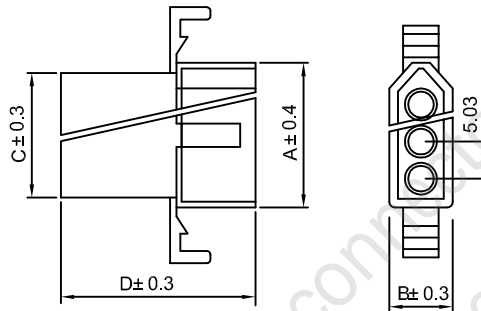


E023H E023H-K

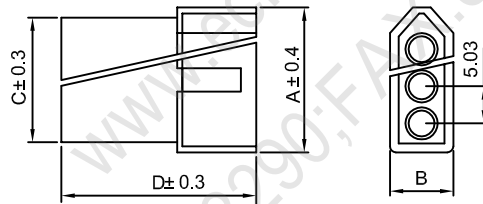
Features:

MAT'L: NYLON 66 UL94-V2
 CURRENT RANGE: 4.5A AC DC
 VOLTAGE RATING: 250V AC DC
 MTES WITH: E023 & E123 SERIES TERMINAL

E023H-K

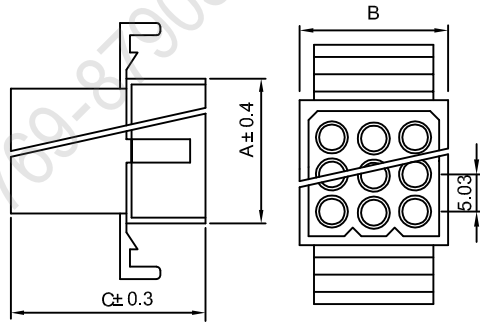


E023H

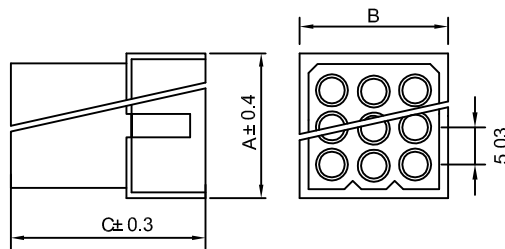


PART	A	B	C	D
E023H-01	∅9.1		∅6.1	24.5
E023H-1X2 E023H-1X2K	16.4	8.9	13.6	24.6
E023H-1X3 E023H-1X3K	19.7	8.6	16.9	24.6
E023H-1X4 E023H-1X4K	24.66	8.6	21.9	24.6
E023H-1X5 E023H-1X5K	30.1	27.1	27.1	24.5

E023H-K



E023H



PART	A	B	C
E023H-2X2 E023H-2X2K	13.7	13.7	24.5
E023H-3X2 E023H-3X2K	13.7	18.7	24.5
E023H-3X3 E023H-3X3K	17.2	18.6	24.6
E023H-3X4 E023H-3X4K	24.1	18.7	24.6
E023H-3X5 E023H-3X5K	29.7	18.7	24.6



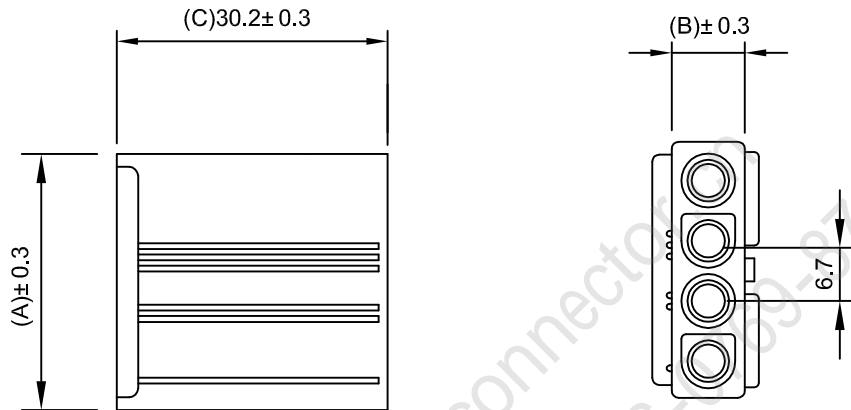
E023H-S

CRIMP HOUSING

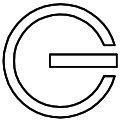
Features:

MAT'L: NYLON 66 UL94-V2

MTES WITH : E023 & E123 SERIES TERMINAL



PART	A	B
E023H-1X1S	8.1	8.1
E023H-1X2S	14.7	8.2
E023H-1X3S	21.7	8.2
E023H-1X4S	28.2	8.2
E023H-3X3S	22.6	21.7
E023H-3X4S	28	21.7



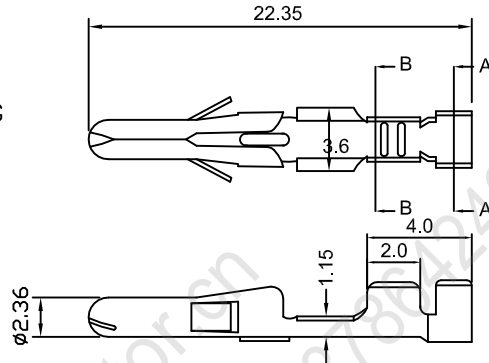
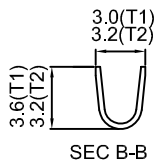
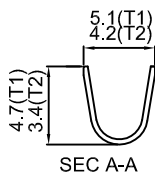
E023

CRIMP TERMINAL

E023 Features:

THICKNESS: 0.25mm
 MAT'L: BRASS TIN PLATED
 MATES WITH: E023 SERIS TERMINAL
 MATES WITH: E123H SERIES HOUSING

unit:mm



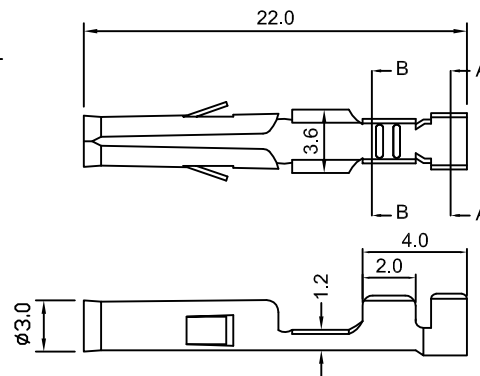
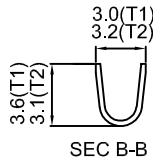
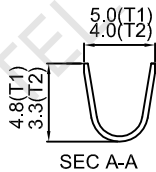
Part No	Wire Range	Insulation O.D.	Material	Finish	Qty/reel
E023T1	#18-22	ø3.6max	BRASS	Tin-plated	3500
E023T2	#14-20	ø2.8max	BRASS	Tin-plated	5000

E123

CRIMP TERMINAL

E123 Features:

THICKNESS: 0.25mm
 MAT'L: BRASS TIN PLATED
 MATES WITH: E023 SERIES TERMINAL
 MATES WITH: E123H SERIS HOUSING



Part No	Wire Range	Insulation O.D.	Material	Finish	Qty/reel
E123T1	#18-22	ø3.6max	BRASS	Tin-plated	3500
E123T2	#14-20	ø2.8max	BRASS	Tin-plated	5000



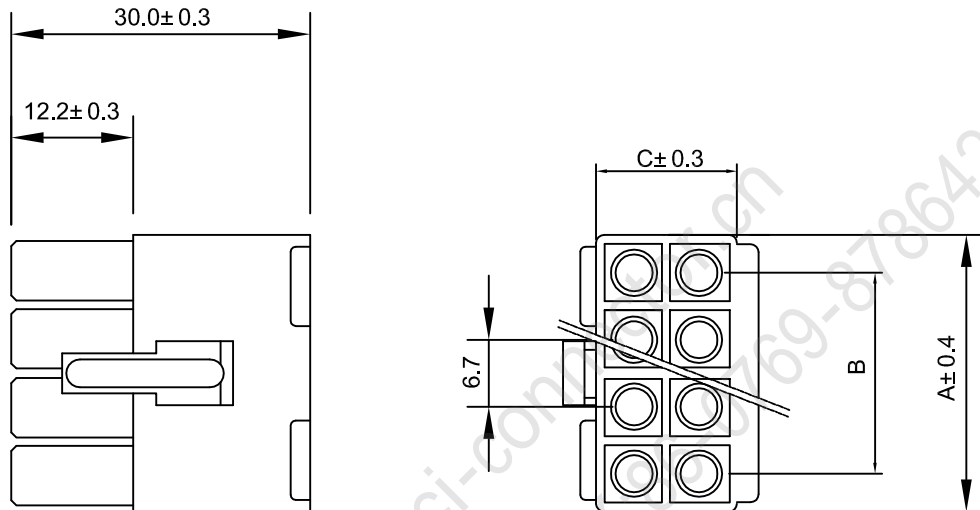
E123H-A

CRIMP HOUSING

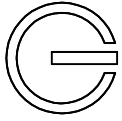
Features:

MAT'L: NYLON 66 UL94-V2

MTES WITH : E023 & E123 SERIES TERMINAL



PART	A	B	C
E123H-1X1A	7.6		7.6
E123H-1X2A	14.3	6.7	7.6
E123H-1X3A	21.2	13.4	7.6
E123H-1X4A	28	20.1	7.6
E123H-2X2A	22	13.4	22.3
E123H-2X3A	22	13.4	22.3
E123H-3X3A	28	20.1	21.2
E123H-3X4A	28	20.1	21.2



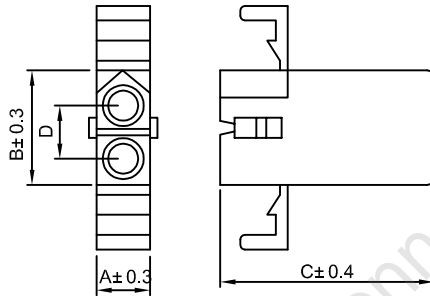
E123H E123H-K

Features:

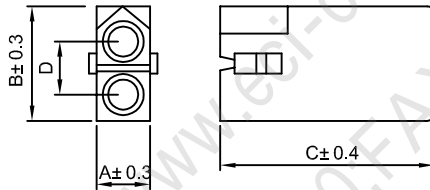
MAT'L: NYLON 66 UL94-V2

MTES WITH : E023 & E123 SERIES TERMINAL

E123H-K

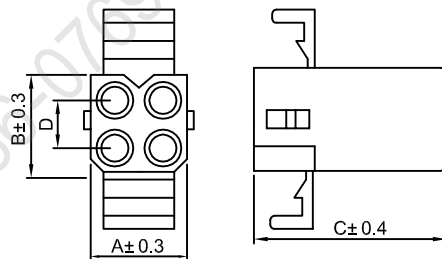


E123H

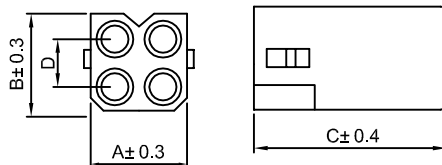


PART	A	B	C	D
E123H-1X1	5.9		26.6	
E123H-1X2 E123H-1X2K	6.4	13.7	25.4	5.03
E123H-1X3 E123H-1X3K	6.4	13.7	25.8	5.03
E123H-1X4 E123H-1X4K	6.0	22.05	25.8	5.03
E123H-1X5 E123H-1X5K	6.1	27.1	25.7	5.03

E123H-K



E123H



PART	A	B	C	D
E123H-2X2 E123H-2X2K	11.02	11.02	25.7	5.03
E123H-3X2 E123H-3X2K	16.05	11.2	25.7	5.03
E123H-3X3 E123H-3X3K	16.05	17.2	25.8	5.03
E123H-3X4 E123H-3X4K	16.05	22.1	25.8	5.03
E123H-3X5 E123H-3X5K	16.05	27.1	25.8	5.03