

# E030H/E130H SERIES E030H-E

4.5mm PITCH WIRE TO BOARD CONNECTOR

## ● Specifications

Current rating: 4.5A AC,DC

Voltage rating: 250V AC,DC

Temperature range: -25° C to+85° C  
(including temperature rise)

Contact resistance: Initial value/10m Ω Max.  
After environmental testing/20m Ω Max.

Insulation resistance: 500M Ω MIN.

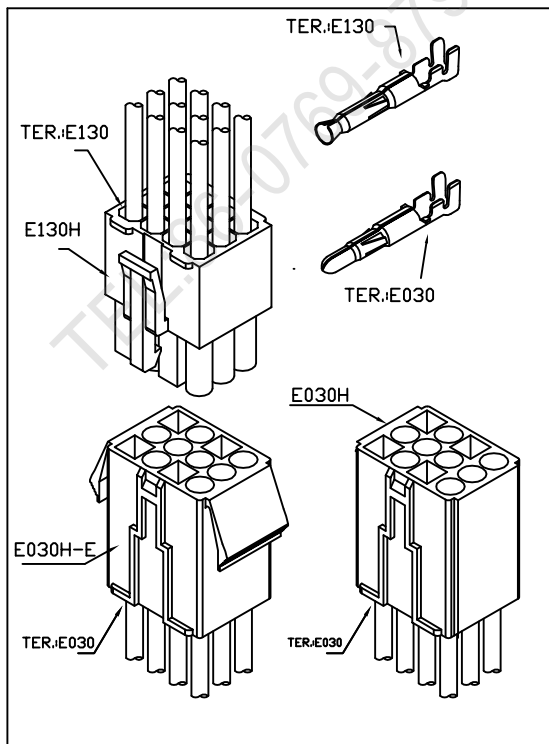
Withstanding voltage: 1500V AC/minute

Applicable wire: AWG#18-22

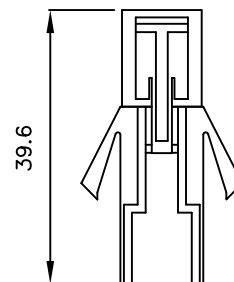
## ● Standards



LR84767



## Assembly layout



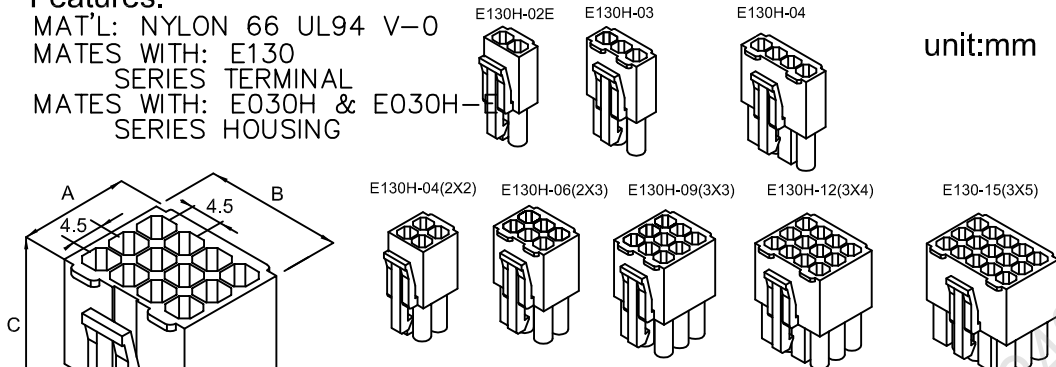
WIRE TO WIRE



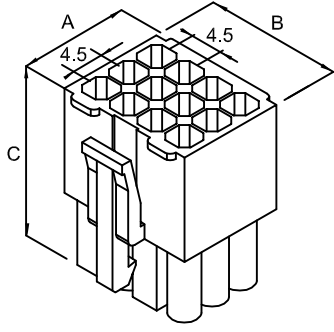
# E130H 4.5mm PITCH HOUSING

**Features:**

MAT'L: NYLON 66 UL94 V-0  
 MATES WITH: E130 SERIES TERMINAL  
 MATES WITH: E030H & E030H-E SERIES HOUSING



unit:mm



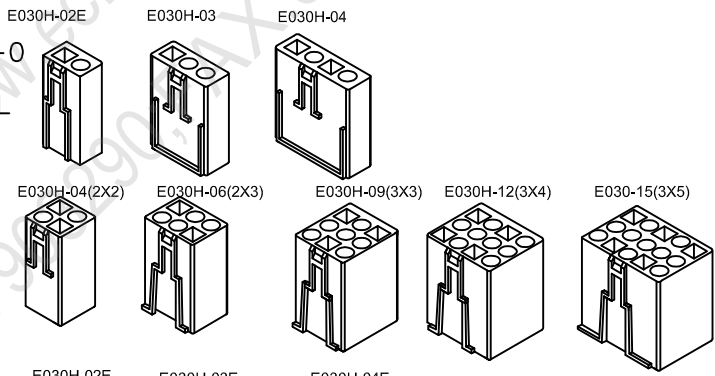
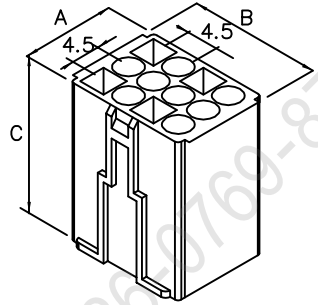
| PRAT NO       | A    | B    | C    |
|---------------|------|------|------|
| E130H-02(1X2) | 5.8  | 10.4 | 24.8 |
| E130H-03(1X3) | 5.8  | 15.0 | 25.0 |
| E130H-04(1X4) | 5.8  | 19.6 | 25.0 |
| E130H-05(1X5) | 7.6  | 33.0 | 27.4 |
| E130H-04(2X2) | 10.3 | 10.5 | 25.0 |
| E130H-06(2X3) | 10.3 | 15.0 | 25.0 |
| E130H-09(3X3) | 14.8 | 15.0 | 25.0 |
| E130H-12(3X4) | 14.8 | 19.6 | 25.0 |
| E130H-15(3X5) | 14.8 | 24.2 | 25.0 |

# E030H E030H-E(有翅) 4.5mm PITCH HOUSING

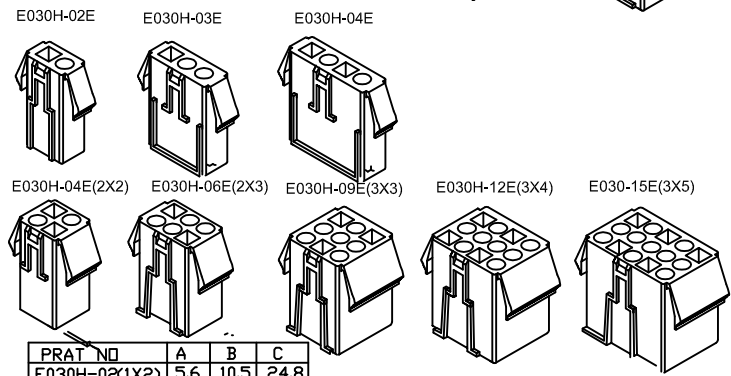
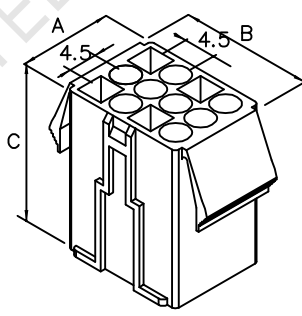
**Features:**

MAT'L: NYLON 66 UL94 V-0  
 MATES WITH: E030 SERIES TERMINAL  
 MATES WITH: E130H SERIES HOUSING

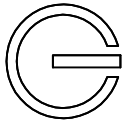
E030



E030H-E(有翅)  
E030



| PRAT NO       | A    | B    | C    |
|---------------|------|------|------|
| E030H-02(1X2) | 5.6  | 10.5 | 24.8 |
| E030H-02E     |      |      |      |
| E030H-03(1X3) | 5.6  | 15.0 | 24.8 |
| E030H-03E     |      |      |      |
| E030H-04(1X4) | 5.6  | 19.6 | 24.8 |
| E030H-04E     |      |      |      |
| E030H-05(1X5) | 10.3 | 10.5 | 24.8 |
| E030H-05E     |      |      |      |
| E030H-06(2X3) | 10.3 | 15.0 | 24.8 |
| E030H-06E     |      |      |      |
| E030H-09(3X3) | 14.7 | 15.0 | 24.8 |
| E030H-09E     |      |      |      |
| E030H-12(3X4) | 14.7 | 19.6 | 24.8 |
| E030H-12E     |      |      |      |
| E030H-15(3X5) | 20.2 | 33.0 | 27.4 |
| E030H-15E     |      |      |      |



# E030

## CRIMP TERMINAL

### E030

#### Features:

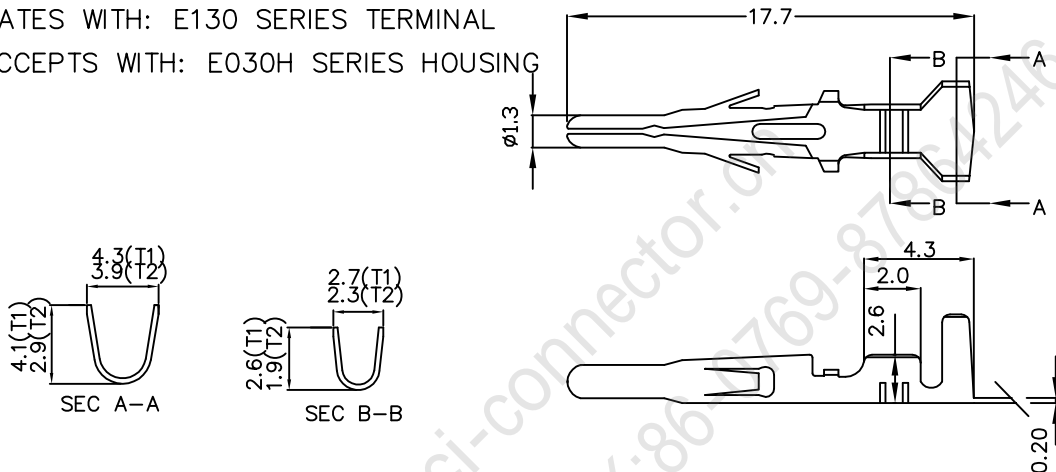
THICKNESS: 0.20mm

MAT'L: BRASS TIN PLATED

MATES WITH: E130 SERIES TERMINAL

ACCEPTS WITH: E030H SERIES HOUSING

unit:mm



| Part No | Wire Range | Insulation O.D. | Material | Finish     | Qty/reel |
|---------|------------|-----------------|----------|------------|----------|
| E030T1  | #16-20     | $\phi 1.9-3.4$  | BRASS    | Tin-plated | 5000     |
| E030T2  | #20-26     | $\phi 1.3-2.7$  | BRASS    | Tin-plated | 7000     |

# E130

## CRIMP TERMINAL

### E130

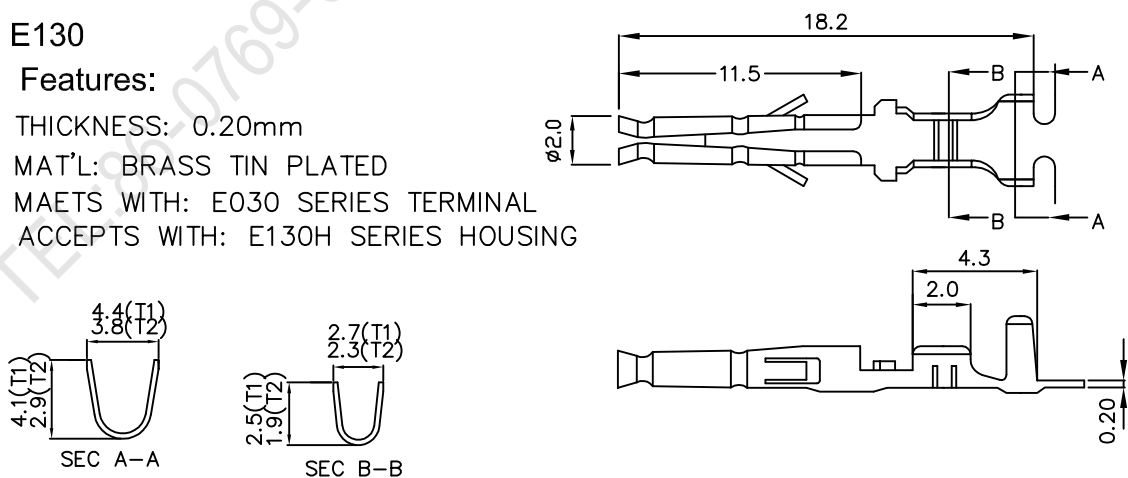
#### Features:

THICKNESS: 0.20mm

MAT'L: BRASS TIN PLATED

MATES WITH: E030 SERIES TERMINAL

ACCEPTS WITH: E130H SERIES HOUSING



| Part No | Wire Range | Insulation O.D. | Material | Finish     | Qty/reel |
|---------|------------|-----------------|----------|------------|----------|
| E130T1  | #16-20     | $\phi 1.9-3.4$  | BRASS    | Tin-plated | 5000     |
| E130T2  | #20-26     | $\phi 1.3-2.7$  | BRASS    | Tin-plated | 7000     |