

E010H/E110H SERIES

4.14mm PITCH WIRE TO WIRE CONNECTOR

● Specifications

Current rating: 5A AC,DC

Voltage rating: 300V AC,DC

Temperature range: -25° C to+85° C
(including temperature rise)

Contact resistance: Initial value/10m Ω Max.
After environmental testing/20m Ω Max.

Insulation resistance: 1000M Ω MIN.

Withstanding voltage: 1500V AC/minute

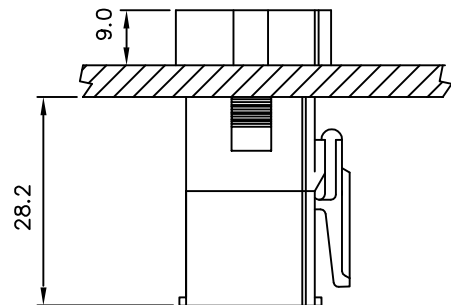
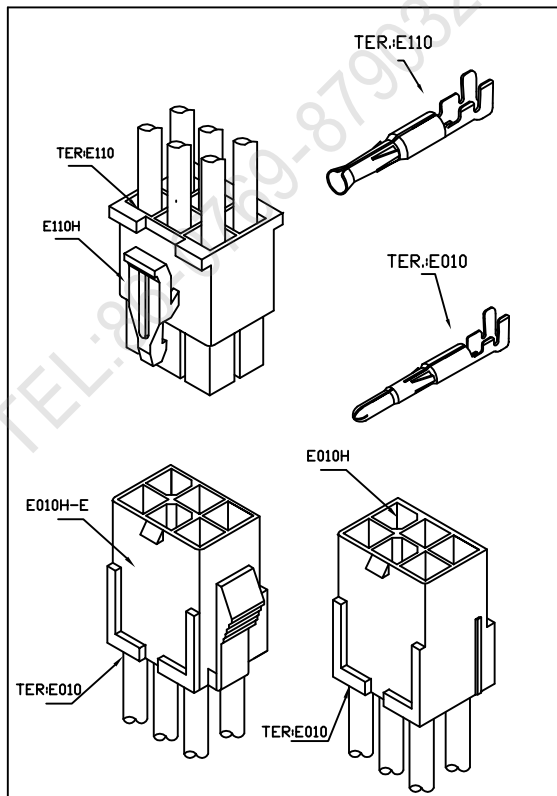
Applicable wire: AWG#18~#24

● Standards

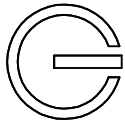


LR84767

Assembly layout



WIRE TO WIRE



E010H E010H-E

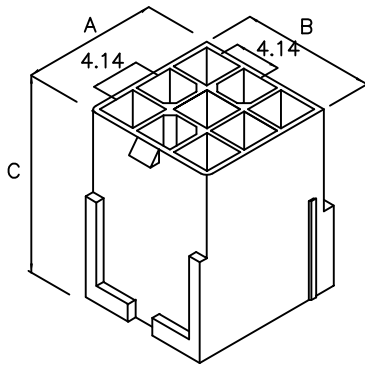
SERIES 4.14 pitch HOUSING

Features:

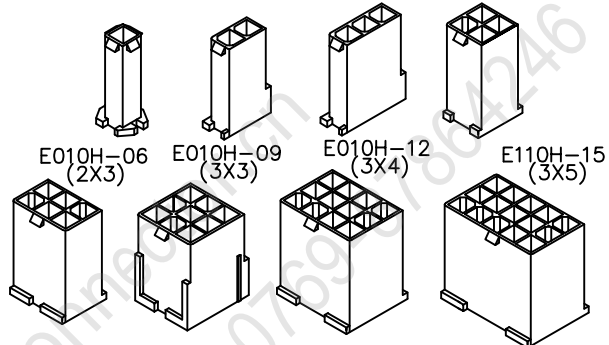
- * MAT'L: NYLON66 UL94 V-2
- * MATES E010 SERIES TERMINAL
- * ACCEPTS WITH: : E110H SERIES HOUSING

unit:mm

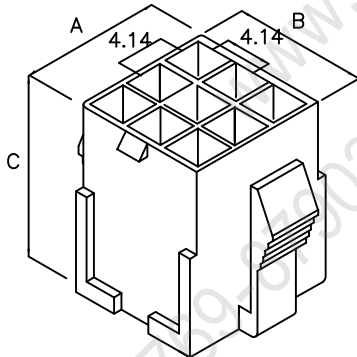
E010H



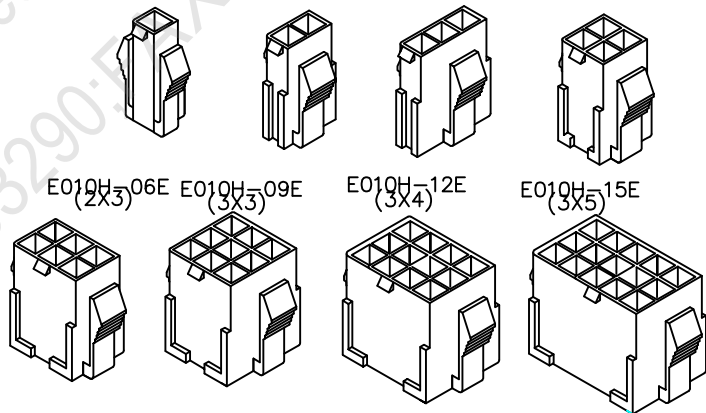
E010H-01 E010H-02 E010H-03 E010H-04 (2X2)



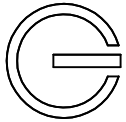
E010H-E



E010H-01E E010H-02E E010H-03E E010H-04E



PRAT NO	A	B	C
E010H-01 E010H-01E	5.6	5.6	24.0
E010H-02 E010H-02E(2X1)	9.8	5.6	24.0
E010H-03 E010H-03E(3X1)	14.0	5.6	24.0
E010H-04 E010H-04E(2X2)	9.8	9.8	24.0
E010H-06 E010H-06E(2X3)	9.8	14.0	24.0
E010H-09 E010H-09E(3X3)	14.0	14.0	24.0
E010H-12 E010H-12E(3X4)	14.0	18.5	24.0
E010H-15 E010H-15E(3X5)	14.0	22.5	24.0

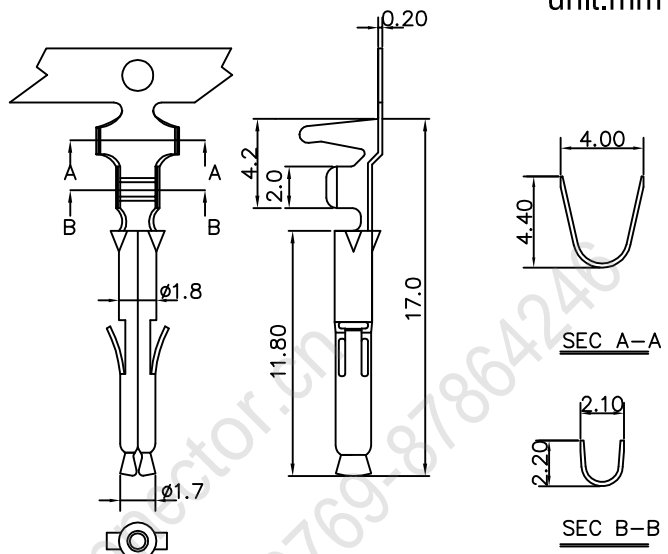


E110

CRIMP TERMINAL

Features:

THICKNESS: 0.20mm
 MAT'L: BRONZE TIN PLATED
 ACCEPTS WITH: E110H HOUSING
 MATES WITH: E010 TERMINAL
 E010H HOUSING



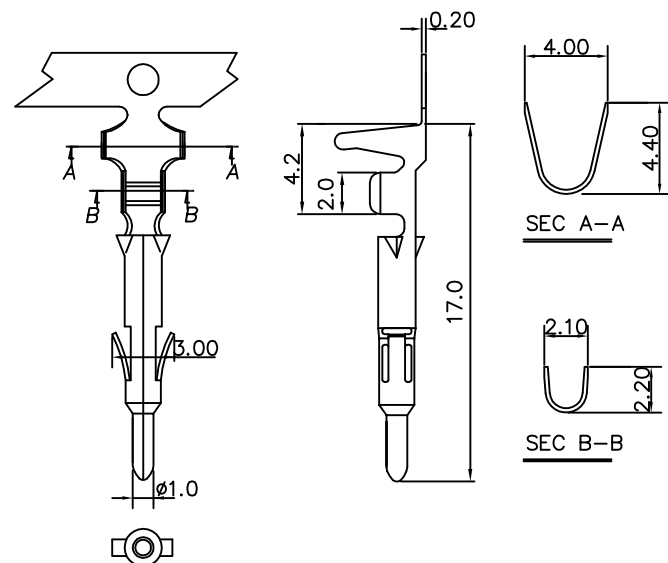
Part No	Wire Range	Insulation O.D.	Material	Finish	Qty/reel
E110	#24-18	1.7-3.0mm	PHOSPHOR BRONZE	Tin-plated	4000

E010

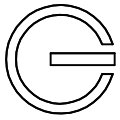
CRIMP TERMINAL

Features:

THICKNESS: 0.20mm
 MAT'L: BRONZE TIN PLATED
 ACCEPTS WITH: E010H HOUSING
 MATES WITH: E110 TERMINAL
 E110H HOUSING



Part No	Wire Range	Insulation O.D.	Material	Finish	Qty/reel
E010	#24-18	1.7-3.0mm	PHOSPHOR BRONZE	Tin-plated	4000



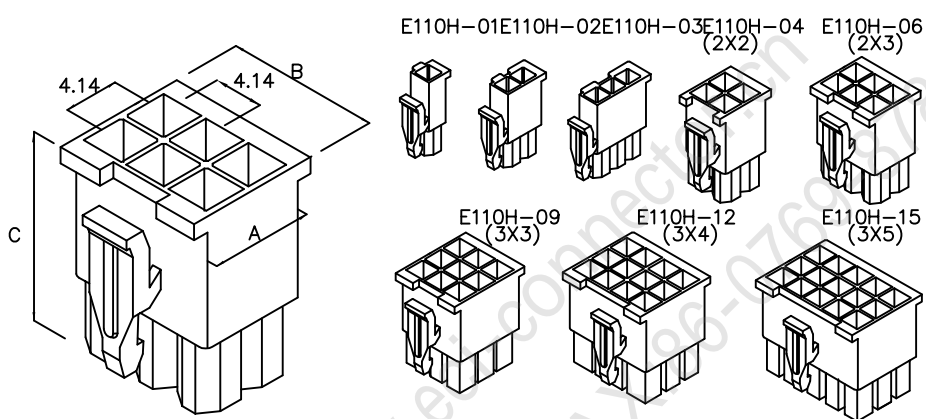
E110H

SERIES 4.14 pitch HOUSING

Features:

- * MAT'L: NYLON66 UL94 V-2
- * MATES: E110 SERIES TERMINAL
- * ACCEPTS WITH: : E010H & E010H-E SERIES HOUSING

unit:mm



PRAT NO	A	B	C
E110H-01	5.6	5.6	24.0
E110H-02 (2X1)	9.8	5.6	24.0
E110H-03 (3X1)	14.0	5.6	24.0
E110H-04 (2X2)	9.8	9.8	24.0
E110H-06 (2X3)	9.8	14.0	24.0
E110H-09 (3X3)	14.0	14.0	24.0
E110H-12 (3X4)	14.0	18.5	24.0
E110H-15 (3X5)	14.0	23.0	24.0

www.eci-connector.cn; TEL: +86-0769-87903290; FAX: +86-0769-87864246