

## 8625 SERIES

5.08mm PITCH WIRE TO BOARD CONNECTOR

### ● Specifications

Current rating: 5A AC,DC

Voltage rating: 250V AC,DC

Temperature range: -25° C to+85° C  
(including temperature rise)

Contact resistance: Initial value/10m  $\Omega$  Max.  
After environmental testing/20m  $\Omega$  Max.

Insulation resistance: 500M  $\Omega$  MIN.

Withstanding voltage: 1000V AC/minute

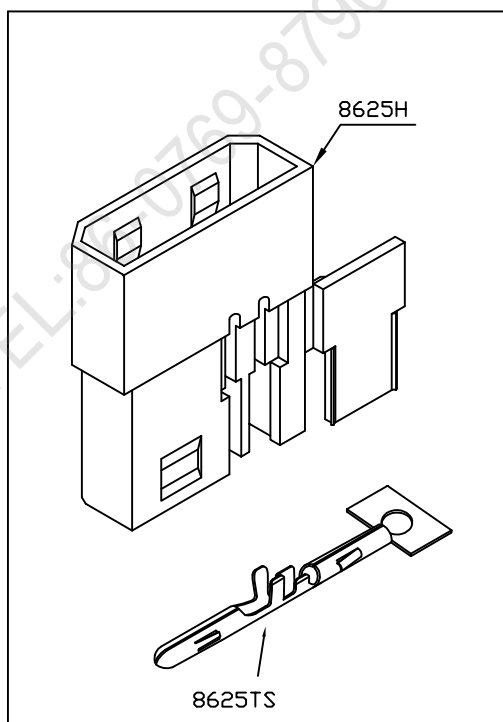
Applicable wire: AWG#24-26

### ● Standards



E 193160

### Assembly layout





**8625**

5.08mm PITCH HOUSING

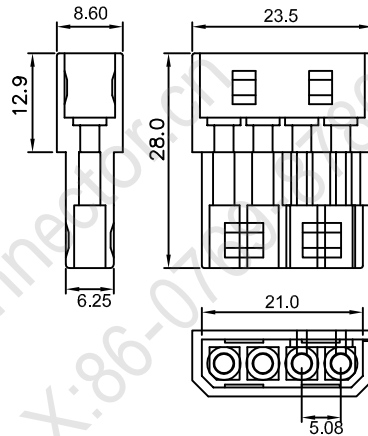
**Features:**

MAT'L: NYLON 66 UL94V-2

POSITION: 4POLE

MATE WITH: 8625 SERIES TERMINAL

unit:mm



**8625T**

5.08mm PITCH TERMINAL

unit:mm

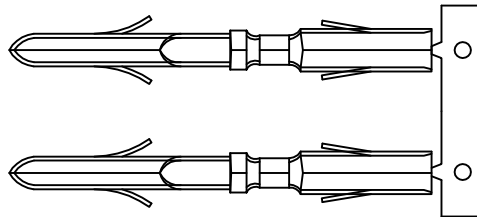
**8625TL**

THICKNESS: 0.25mm

MAT'L: BRASS TIN PLATED

MATES WITH: 8625H SERIES HOUSING

PACKING: 8000 PCS/BAG



**8625TLS**

THICKNESS: 0.25mm

MAT'L: BRASS TIN PLATED

MATES WITH: 8625H SERIES HOUSING

PACKING: 8000 PCS/BAG

