

3015H/3016H SERIES

3.0mm PITCH WIRE TO WIRE CONNECTOR

● Specifications

Current rating: 5A AC,DC

Voltage rating: 250V AC,DC

Temperature range: -25° C to+85° C

(including temperature rise)

Contact resistance: Initial value/10m Ω Max.

After environmental testing/20m Ω Max.

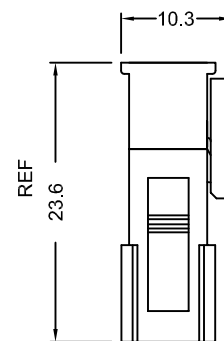
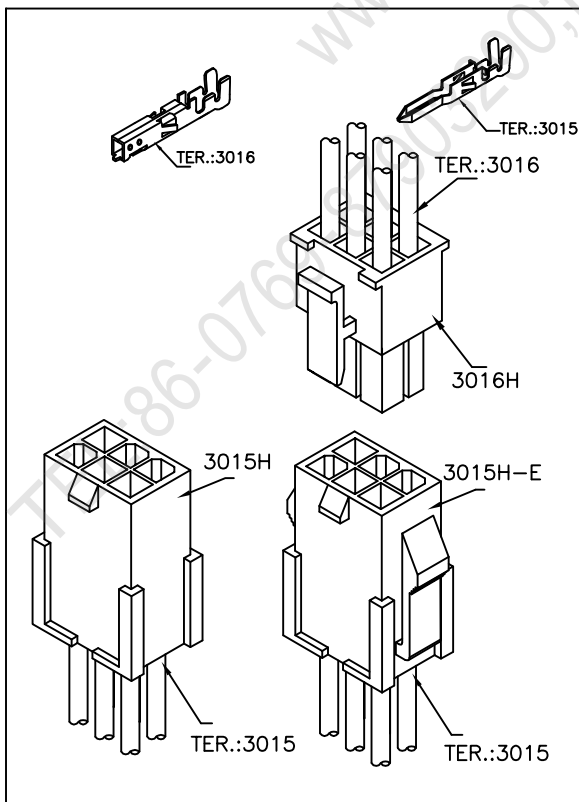
Insulation resistance: 1000M Ω MIN.

Withstanding voltage: 1500V AC/minute

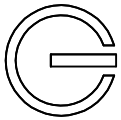
Applicable wire: AWG#20-24

● Standards

Assembly layout



WIRE TO WIRE



3015H

3.0mm PITCH CRIMP HOUSING

Features:

3015H SERIES

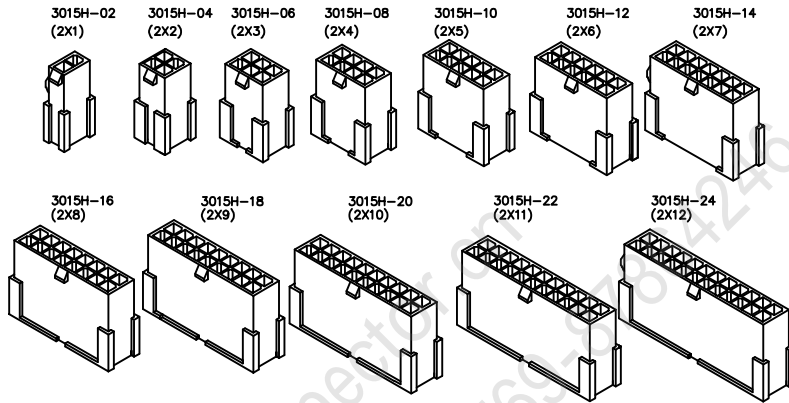
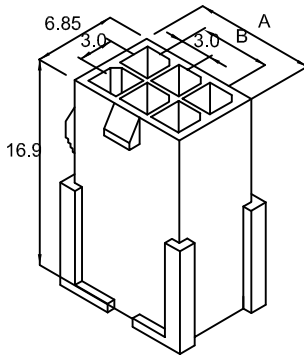
MAT'L: NYLON 66 UL94V-0

MATES WITH: 3015 SERIES TERMINAL

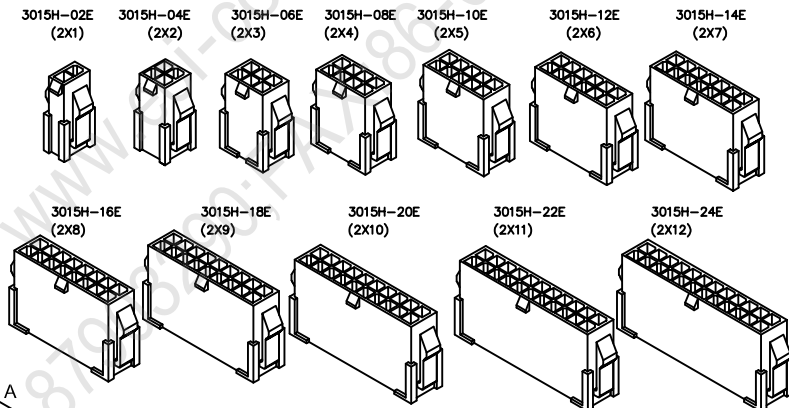
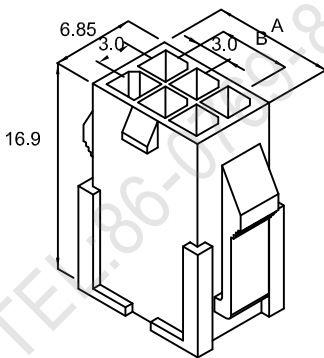
ACCEPTS WITH: 3016H SERIES HOUSING OR 3015PR SERIES WAFER

unit:mm

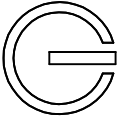
3015H



3015H-E



PART NO.	A	B
3015H- 02 (2X1) 3015H- 02E	3.85	
3015H- 04 (2X2) 3015H- 04E	6.85	3.0
3015H- 06 (2X3) 3015H- 06E	9.85	6.0
3015H- 08 (2X4) 3015H- 08E	12.85	9.0
3015H- 10 (2X5) 3015H- 10E	15.85	12.0
3015H- 12 (2X6) 3015H- 12E	18.85	15.0
3015H- 14 (2X7) 3015H- 14E	21.85	18.0
3015H- 16 (2X8) 3015H- 16E	24.85	21.0
3015H- 18 (2X9) 3015H- 18E	27.85	24.0
3015H- 20 (2X10) 3015H- 20E	30.85	27.0
3015H- 22 (2X11) 3015H- 22E	33.85	30.0
3015H- 24 (2X12) 3015H- 24E	36.85	33.0



3016H

3.0mm PITCH CRIMP HOUSING

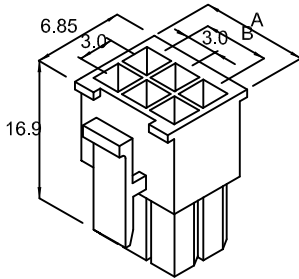
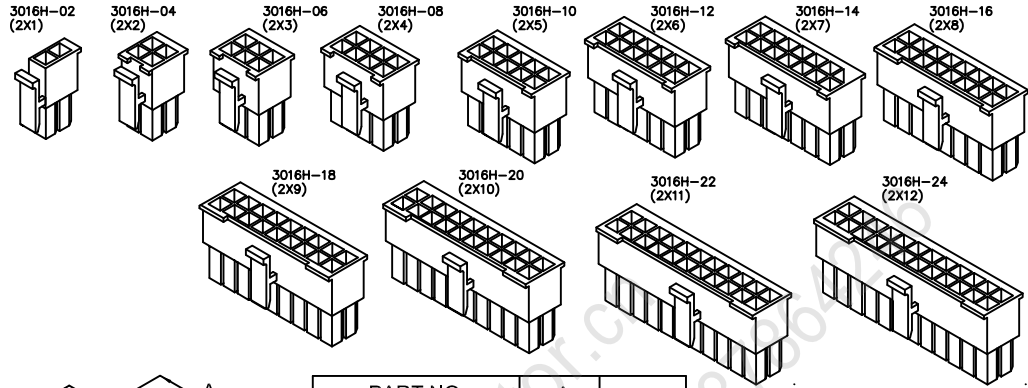
Features:

3016H SERIES

MAT'L: NYLON 66 UL94V-0

MATES WITH: 3016 TERMINAL

ACCEPTS WITH: 3015H SERIES HOUSING



PART NO.	A	B
3016H- 02 (2X1)	3.85	
3016H- 04 (2X2)	6.85	3.0
3016H- 06 (2X3)	9.85	6.0
3016H- 08 (2X4)	12.85	9.0
3016H- 10 (2X5)	15.85	12.0
3016H- 12 (2X6)	18.85	15.0
3016H- 14 (2X7)	21.85	18.0
3016H- 16 (2X8)	24.85	21.0
3016H- 18 (2X.9)	27.85	24.0
3016H- 20 (2X10)	30.85	27.0
3016H- 22 (2X11)	33.85	30.0
3016H- 24 (2X12)	36.85	33.0

3015PIN

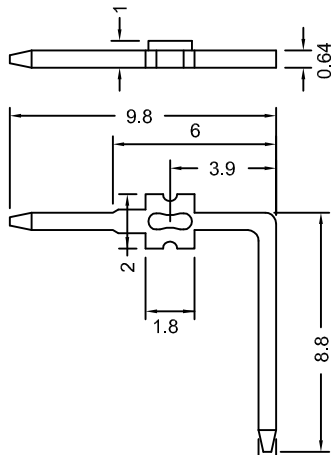
Features:

MAT'L.: BRASS TIN PLATED

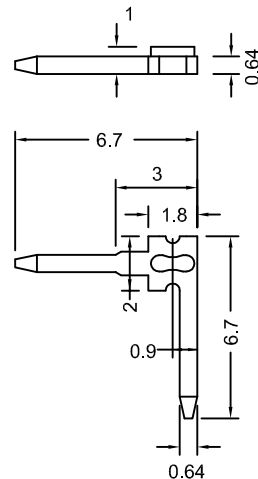
THICKNESS: 0.64mm

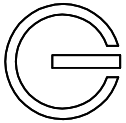
unit:mm

3015PIN-A



3015PIN-B





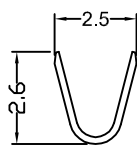
3015

3.0mm CRIMP TERMINAL

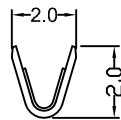
unit:mm

Features:

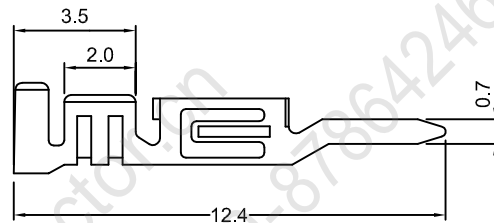
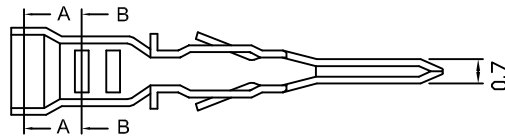
THICKNESS: 0.2mm
 MATES WITH: 3015H SERIES HOUSING
 ACCEPTS WITH: 3016T TERMINAL



Section A-A



Section B-B



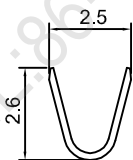
Part No	Wire Range	Material	Finish	Qty/reel
3015	AWG#20-24	Phosphor bronze	Tin-plated	6,000 PCS

3016

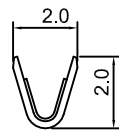
3.0mm CRIMP TERMINAL

Features:

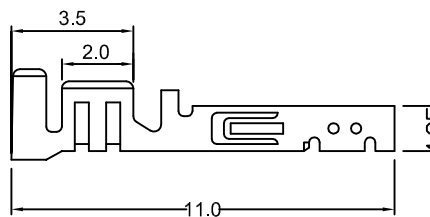
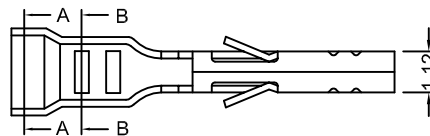
THICKNESS: 0.2mm
 MATES WITH: 3016H SERIES HOUSING
 ACCEPTS WITH: 3015 TERMINAL



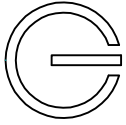
Section A-A



Section B-B



Part No	Wire Range	Material	Finish	Qty/reel
3016	AWG#20-24	Phosphor bronze	Tin-plated	6,000 PCS



3015PS SERIES

3.0mm PITCH WIRE TO BORAD CONNECTOR

● Specifications

Current rating: 5A AC,DC

Voltage rating: 250V AC,DC

Temperature range: -25° C to+85° C

(including temperature rise)

Contact resistance: Initial value/10m Ω Max.

After environmental testing/20m Ω Max.

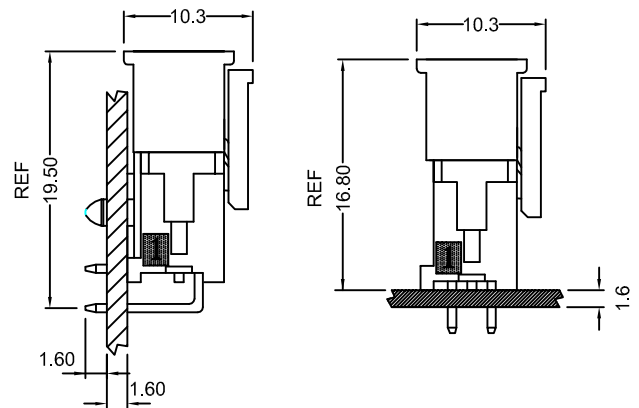
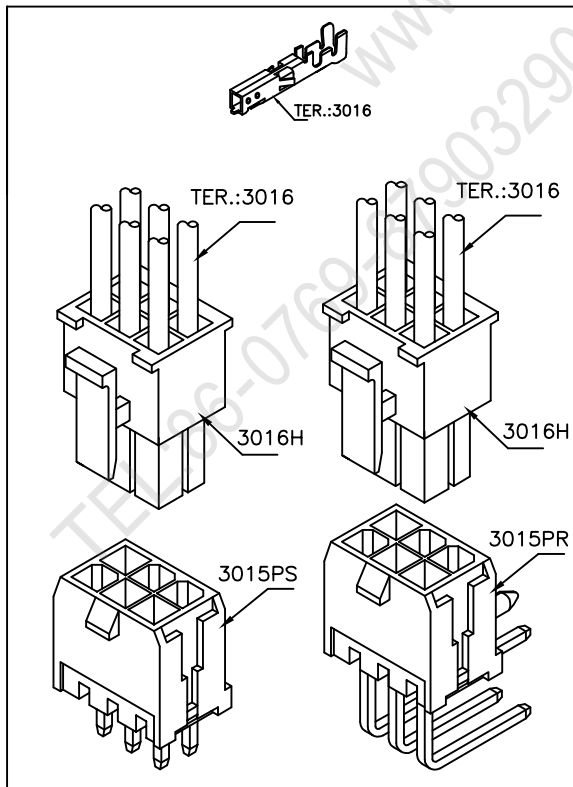
Insulation resistance: 1000M Ω MIN.

Withstanding voltage: 1500V AC/minute

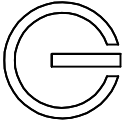
Applicable wire: AWG#20-24

● Standards

Assembly layout



WIRE TO BOARD

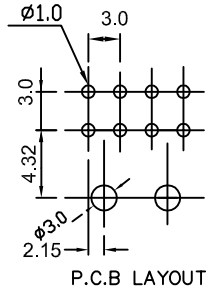
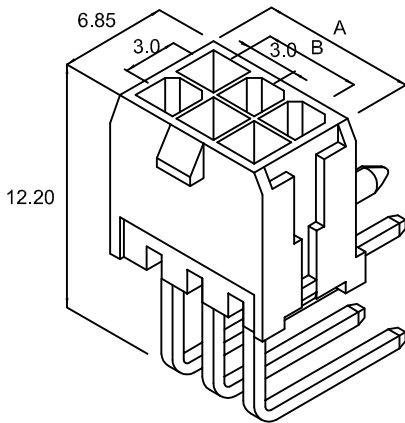


3015PR 3.0mm PITCH 90° WAFER

Features:

MAT'L: NYLON 66 UL94V-0
 MATES WITH:3016 SERIES TERMINAL
 ACCEPTS WITH:3016H SERIES HOUSING

unit:mm



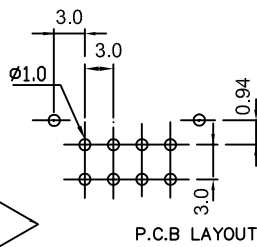
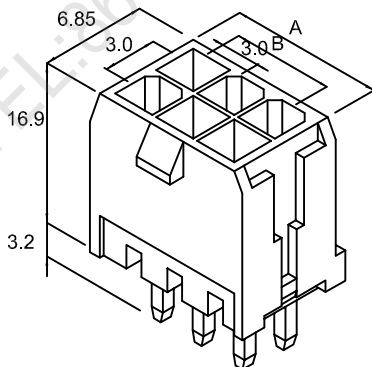
PART NO.	A	B
3015PR-02 (2X1)	6.65	
3015PR-04 (2X2)	9.65	3.0
3015PR-06 (2X3)	12.65	6.0
3015PR-08 (2X4)	15.65	9.0
3015PR-10 (2X5)	18.65	12.0
3015PR-12 (2X6)	21.65	15.0
3015PR-14 (2X7)	24.65	18.0
3015PR-16 (2X8)	27.65	21.0
3015PR-18 (2X9)	30.65	24.0
3015PR-20 (2X10)	33.65	27.0
3015PR-22 (2X11)	36.65	30.0
3015PR-24 (2X12)	39.65	33.0

3015PS 3.0mm PITCH 180° WAFER

Features:

MAT'L: NYLON 66 UL94V-0
 MATES WITH:3016 SERIES TERMINAL
 ACCEPTS WITH:3016H SERIES HOUSING

unit:mm



PART NO.	A	B
3015PS- 02 (2X1)	6.65	
3015PS- 04 (2X2)	9.65	3.0
3015PS- 06 (2X3)	12.65	6.0
3015PS- 08 (2X4)	15.65	9.0
3015PS- 10 (2X5)	18.65	12.0
3015PS- 12 (2X6)	21.65	15.0
3015PS- 14 (2X7)	24.65	18.0
3015PS- 16 (2X8)	27.65	21.0
3015PS- 18 (2X9)	30.65	24.0
3015PS- 20 (2X10)	33.65	27.0
3015PS- 22 (2X11)	36.65	30.0
3015PS- 24 (2X12)	39.65	33.0