

2501CH/2601CH SERIES

2.5mm PITCH WIRE TO WIRE CONNECTOR

● Specifications

Current rating: 3A AC,DC

Voltage rating: 250VAC,DC

Temperature range: -25°C to $+85^{\circ}\text{C}$
(including temperature rise)

Contact resistance: Initial value/10m Ω Max.

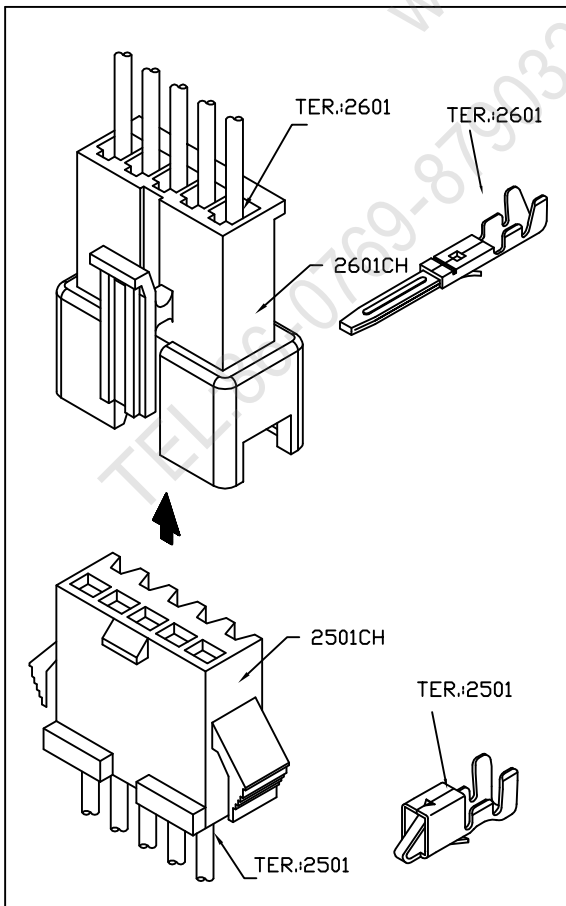
After environmental testing/20m Ω Max.

Insulation resistance: 500M Ω MIN.

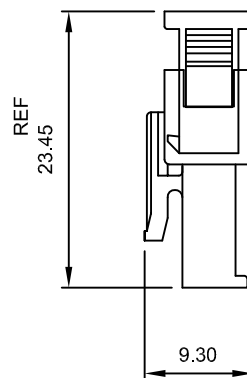
Withstanding voltage: 1500V AC/minute

Applicable wire: AWG#22-26

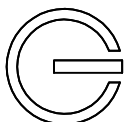
● Standards



Assembly layout



WIRE TO WIRE



2501CH 2.5mm PITCH HOUSING

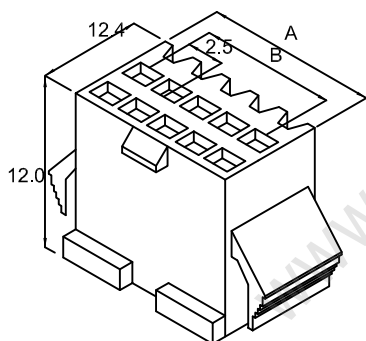
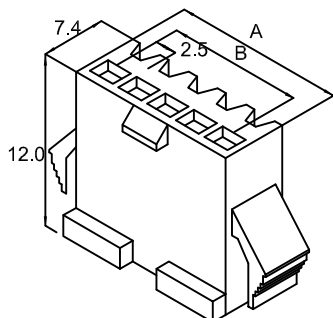
unit:mm

Features:

MAT'L: NYLON 66 UL 94V-2

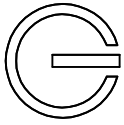
MATES WITH: 2501 SERIES TERMINAL

ACCEPTS WITH: 2601CH SERIES HOUSING



PART NO.	A	B
2501CH- 02	5.5	2.5
2501CH- 03	8.0	5.0
2501CH- 04	10.5	7.5
2501CH- 05	13.0	10.0
2501CH- 06	15.5	12.5
2501CH- 07	18.0	15.0
2501CH- 08	20.5	17.5
2501CH- 09	23.0	20.0
2501CH- 10	25.5	22.5

PART NO.	A	B
2501CH- 04(2X2)	5.5	2.5
2501CH- 06(2X3)	8.0	5.0
2501CH- 08(2X4)	10.5	7.5
2501CH- 10(2X5)	13.0	10.0
2501CH- 12(2X6)	15.5	12.5
2501CH- 14(2X7)	18.0	15.0
2501CH- 16(2X8)	20.5	17.5
2501CH- 18(2X9)	23.0	20.0
2501CH- 20(2X10)	25.5	22.5



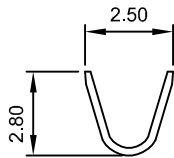
2601

2.5mm PITCH CRIMP TERMINAL

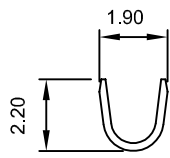
unit:mm

Features:

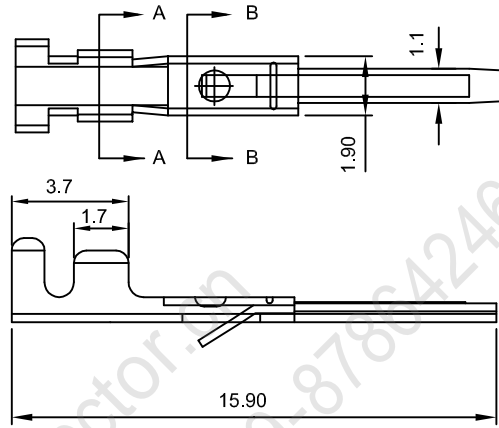
THICKNESS: 0.25mm
 MAT'L: BRASS TIN PLATED
 MATES WITH: 2601CH SERIES HOUSING



Section A-A'



Section B-B'



Part No	Wire Range	Insulation O.D.	Material	Finish	Qty/reel
2601	#22-#26	ø1.7 mm max	BRASS	Tin-plated	7,000

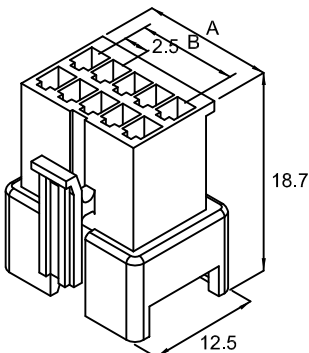
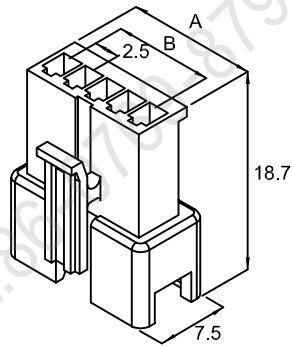
2601CH

2.5mm PITCH CRIMP HOUSING

Features:

MAT'L: NYLON 66 UL 94V-2
 MATES WITH: 2601 SERIES TERMINAL
 ACCEPTS WITH: 2501CH SERIES HOUSING

unit:mm



P/NO.	A	B
2601CH-02	8.0	2.5
2601CH-03	10.5	5.0
2601CH-04	13.0	7.5
2601CH-05	15.5	10.0
2601CH-06	18.0	12.5
2601CH-07	20.5	15.0
2601CH-08	23.0	17.5
2601CH-09	25.5	20.0
2601CH-10	28.0	22.5

P/NO.	A	B
2601CH-04(2X2)	8.0	2.5
2601CH-06(2X3)	10.5	5.0
2601CH-08(2X4)	13.0	7.5
2601CH-10(2X5)	15.5	10.0
2601CH-12(2X6)	18.0	12.5
2601CH-14(2X7)	20.5	15.0
2601CH-16(2X8)	23.0	17.5
2601CH-18(2X9)	25.5	20.0
2601CH-20(2X10)	28.0	22.5