

2501H SERIES

2.5mm PITCH WIRE TO BOARD CONNECTOR

● Specifications

Current rating: 3A AC,DC

Voltage rating: 250V AC,DC

Temperature range: -25°C to $+85^{\circ}\text{C}$
(including temperature rise)

Contact resistance: Initial value /10m Ω Max.

After environmental testing/20m Ω Max.

Insulation resistance: 500M Ω MIN.

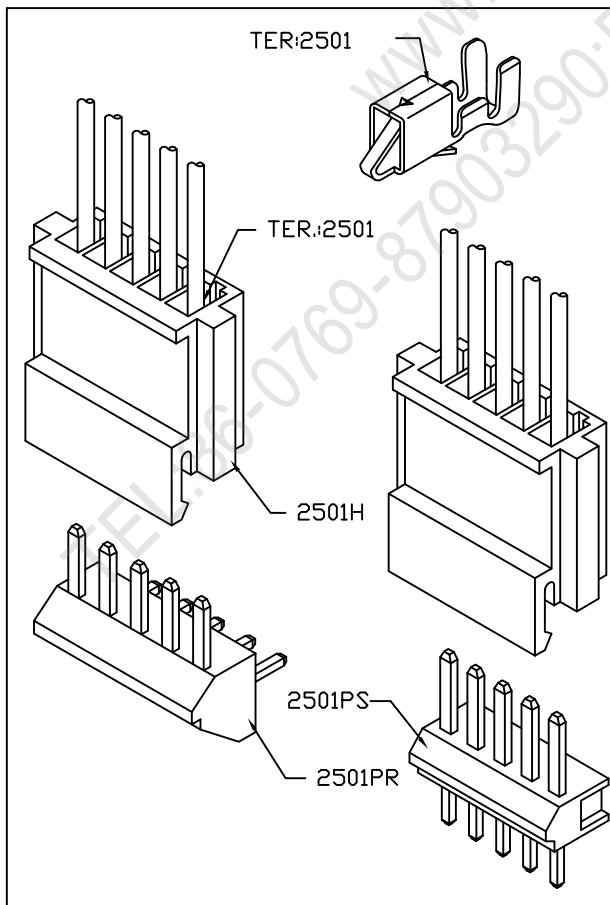
Withstanding voltage: 1500V AC/minute

Applicable wire: AWG#22-26

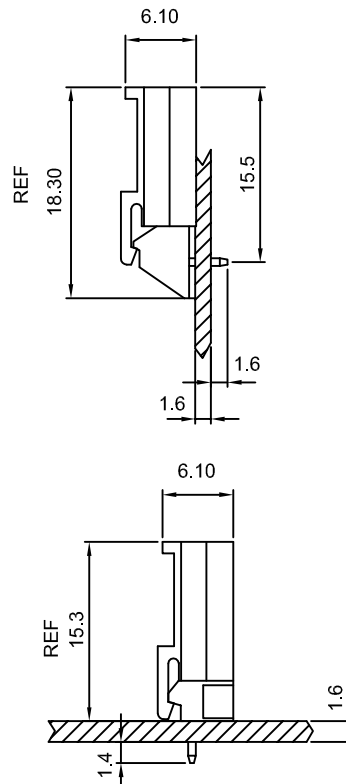
● Standards

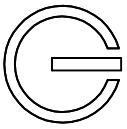


E115256



Assembly layout





2501H 2.50mm PITCH CRIMP HOUSING

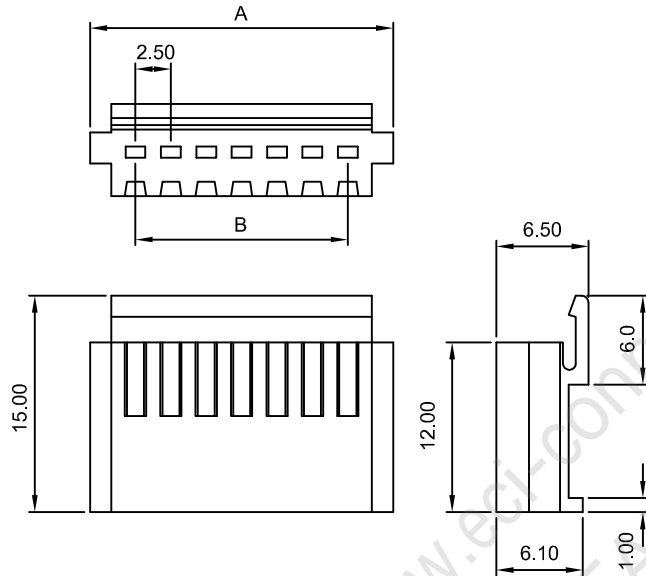
Features:

MAT'L: NYLON 66 UL94V-2

unit:mm

MATES WITH: 2501 SERIES TERMINAL

ACCEPTS WITH: 2501PS 2501PR SERIES WAFER



PART NO.	A	B
2501H- 02	2.5	8.9
2501H- 03	5.0	11.4
2501H- 04	7.5	13.9
2501H- 05	10.0	16.4
2501H- 06	12.5	18.9
2501H- 07	15.0	21.4
2501H- 08	17.5	23.9
2501H- 09	20.0	26.4
2501H- 10	22.5	28.9

2501 2.50mm PITCH CRIMP TERMINAL

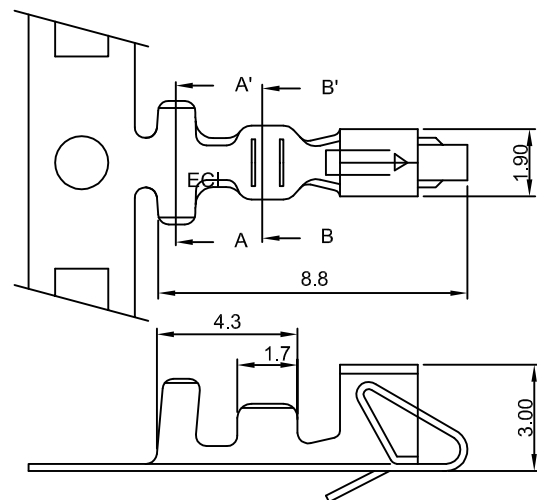
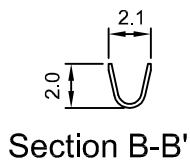
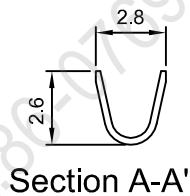
Features:

THICKNESS: 0.20mm

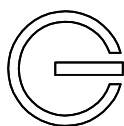
unit:mm

MAT'L: BRASS TIN PLATED

MATES WITH : 2501H 2501CH SERIES HOUSING



Part No	Wire Range	Insulation O.D.	Material	Finish	Qty/reel
2501	#22-#26	ø1.7mm max	BRASS	Tin-plated	7,000



2501PS 2.5mm PITCH 90° WAFER

Features:

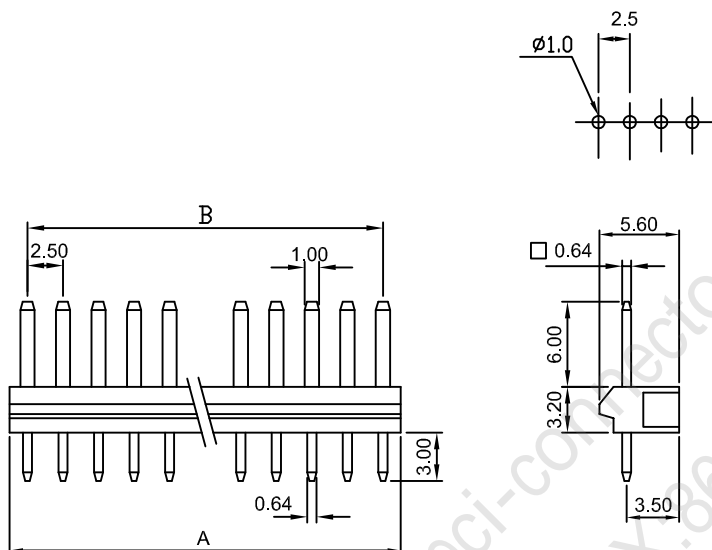
MAT'L: BODY: NYLON 66 UL94V-2

PINS: BRASS TIN PLATED

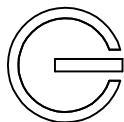
MATES WITH: 2501 SERIES TERMINAL

ACCEPTS: WITH 2501H SERIES HOUSING

unit:mm



PART NO.	A	A
2501PS-02	5.0	2.5
2501PS-03	7.5	5.0
2501PS-04	10.0	7.5
2501PS-05	12.5	10.0
2501PS-06	15.0	12.5
2501PS-07	17.5	15.0
2501PS-08	20.0	17.5
2501PS-09	22.5	20.0
2501PS-10	25.0	22.5
2501PS-11	27.5	25.0
2501PS-12	30.0	27.5
2501PS-13	32.5	30.0
2501PS-14	35.0	32.5
2501PS-15	37.5	35.0
2501PS-16	40.0	37.5
2501PS-17	42.5	40.0
2501PS-18	45.0	42.5
2501PS-19	47.5	45.0
2501PS-20	50.0	47.5



2501PS-03N2 2.5mm PITCH 180° WAFER

Features:

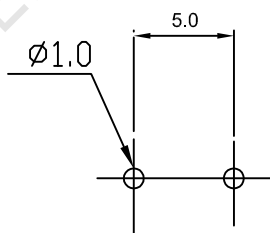
MAT'L: BODY: NYLON-66UL 94V-2

PINS: BRASS TIN PLATED

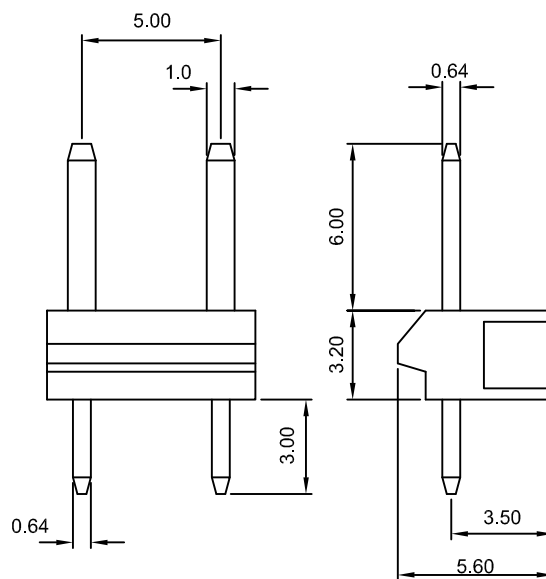
MATES WITH: 2501 SERIES TERMINAL

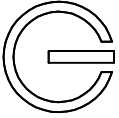
ACCEPTS WITH: 2501H SERIES HOUSING

unit:mm



P.C.B LAYOUT





2501PR

2.5mm PITCH 90° WAFER

Features:

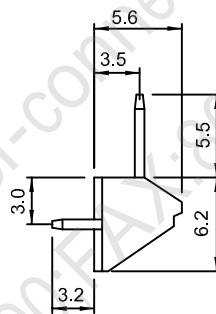
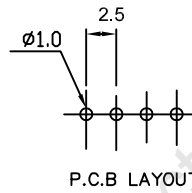
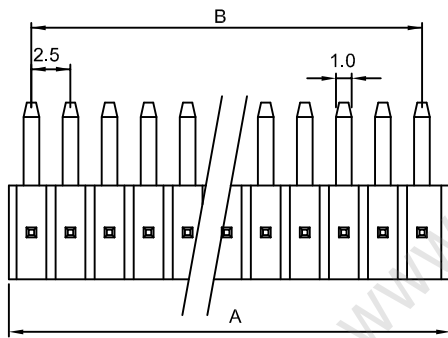
MAT'L: BODY: NYLON-66UL 94V-2

PINS: BRASS TIN PLATED

MATES WITH: 2501 SERIES TERMINAL

ACCEPTS WITH: 2501H SERIES HOUSING

unit:mm



PART NO.	A	A
2501PR-02	5.0	2.5
2501PR-03	7.5	5.0
2501PR-04	10.0	7.5
2501PR-05	12.5	10.0
2501PR-06	15.0	12.5
2501PR-07	17.5	15.0
2501PR-08	20.0	17.5
2501PR-09	22.5	20.0
2501PR-10	25.0	22.5
2501PR-11	27.5	25.0
2501PR-12	30.0	27.5
2501PR-13	32.5	30.0
2501PR-14	35.0	32.5
2501PR-15	37.5	35.0
2501PR-16	40.0	37.5
2501PR-17	42.5	40.0
2501PR-18	45.0	42.5
2501PR-19	47.5	45.0
2501PR-20	50.0	47.5