

H14H SERIES

1.25mm PITCH WIRE TO BOARD CONNECTOR

● Specifications

Current rating: 1A AC,DC

Voltage rating: 150V AC,DC

Temperature range: -25°C to $+85^{\circ}\text{C}$
(including temperature rise)

Contact resistance: Initial value/10m Ω Max.

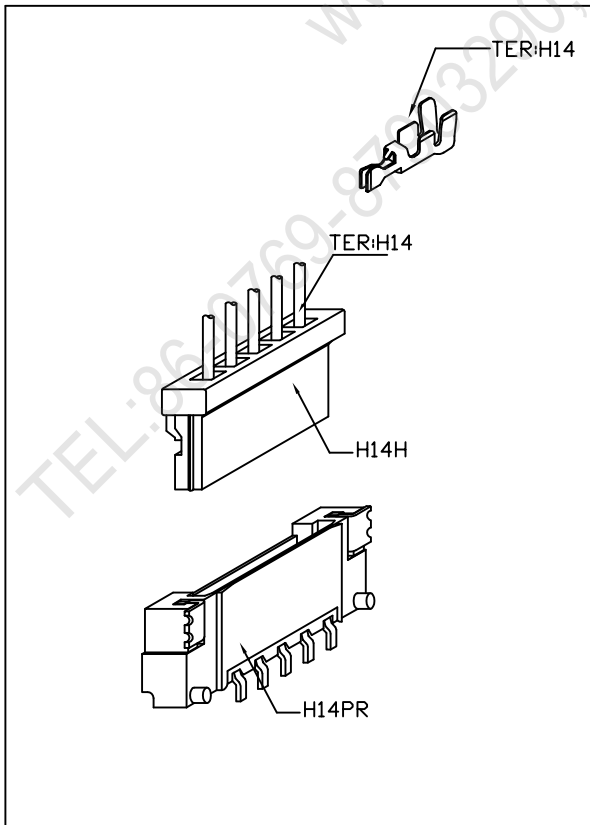
After environmental testing/20m Ω Max.

Insulation resistance: 500M Ω MIN.

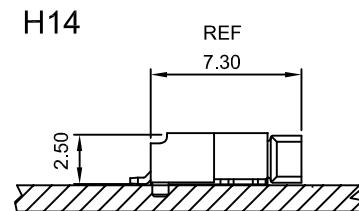
Withstanding voltage: 1000V AC/minute

Applicable wire: AWG#30-32(H14)

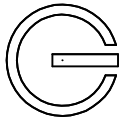
● Standards



Assembly layout



SMT TYPE



H14H

1.25mm PITCH HOUSING

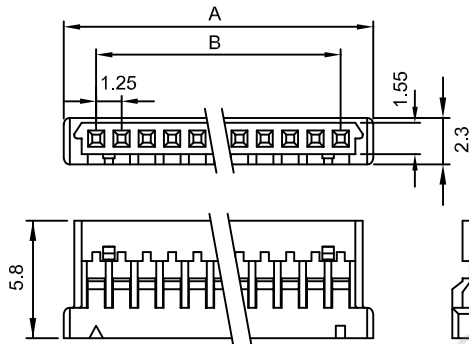
Features:

MAT'L: NYLON 66,UL94V-0

ACCEPTS WITH:H14 SERIES TERMINAL

MATES WITH:H14PR SERIES WAFER

unit: mm



MODEL NO	DIMENSIONS	
	A	B
H14H-02	4.45	1.25
H14H-03	5.70	2.50
H14H-04	6.95	3.75
H14H-05	8.20	5.00
H14H-06	9.45	6.25
H14H-07	10.70	7.50
H14H-08	11.95	8.75
H14H-09	13.20	10.00
H14H-10	14.45	11.25
H14H-15	20.70	17.50
H14H-20	26.95	23.75
H14H-25	33.20	30.00
H14H-30	39.45	36.25

H14

1.25mm CRIMP TERMINAL

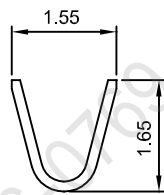
Features:

THICKNESS: 0.15 mm

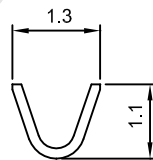
ACCEPTS H14H SERIES HOUSING

MATES WITH: H14PR SERIES WAFER

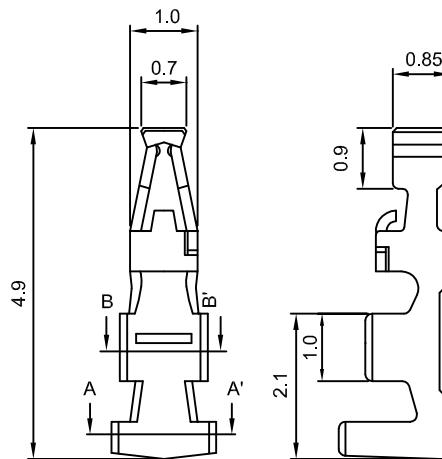
unit: mm



Section A-A'



Section B-B'



Part No	Wire Range	Insulation O.D.	Material	Finish	Qty/reel
H14	AWG#30-32	ø0.54~ø1.0mm	BRASS	Tin-plated	10.000
H14-P	AWG#30-32	ø0.54~ø1.0mm	PHOSPHOR BRONZE	Tin-plated	10.000