

# 11251 SERIES

1.25mm PITCH WIRE TO BOARD CONNECTOR

## ● Specifications

Current rating: 1A AC,DC

Voltage rating: 30V AC,DC

Temperature range:  $-25^{\circ}\text{C}$  to  $+85^{\circ}\text{C}$   
(including temperature rise)

Contact resistance: Initial value/10m  $\Omega$  Max.

After environmental testing/20m  $\Omega$  Max.

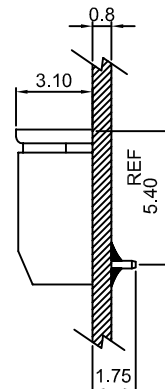
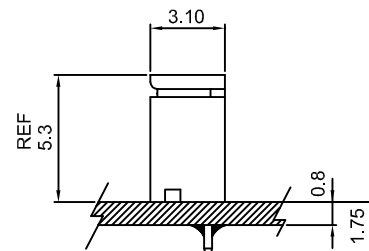
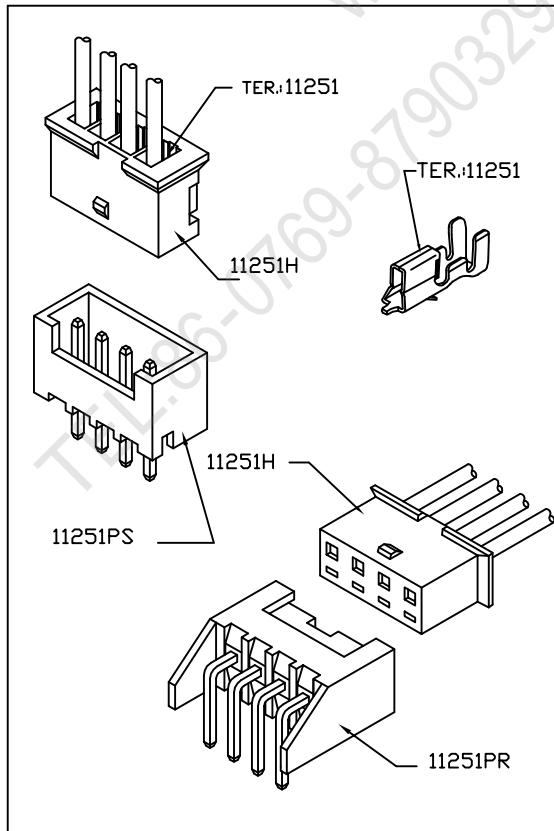
Insulation resistance: 1000M MIN.

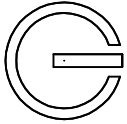
Withstanding voltage: 1000V AC/minute

Applicable wire: AWG#28-32

## ● Standards

## ● Assembly layout





# 11251H 1.25mm PITCH CRIMP HOUSING

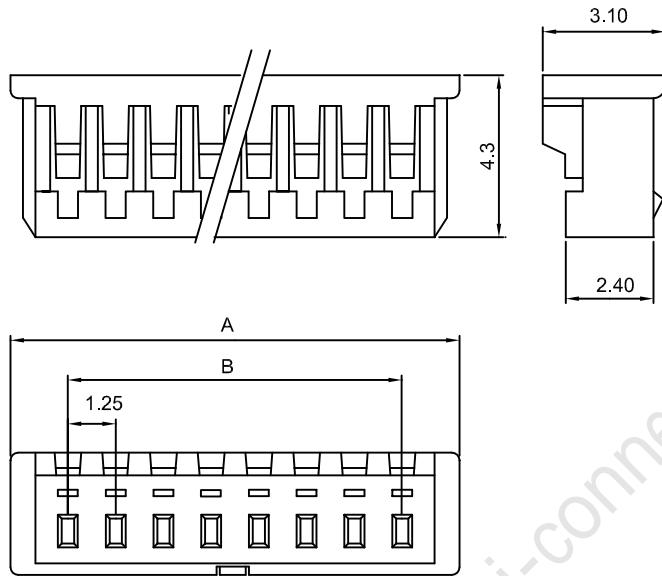
### Features:

MAT'L: NYLON 66 UL94V-0

MATES WITH: 11251 SERIES TERMINAL

ACCEPTS WITH: 11251PS 11251PR SERIES WAFER

unit: mm



PRAT NO.	A	B
11251H-02	3.95	1.25
11251H-03	5.20	2.50
11251H-04	6.45	3.75
11251H-05	7.70	5.00
11251H-06	8.95	6.25
11251H-07	10.20	7.50
11251H-08	11.45	8.75
11251H-09	12.70	10.00
11251H-10	13.95	11.25
11251H-11	15.20	12.50
11251H-12	16.45	13.75
11251H-13	17.70	15.00
11251H-14	18.95	16.25
11251H-15	20.20	17.50

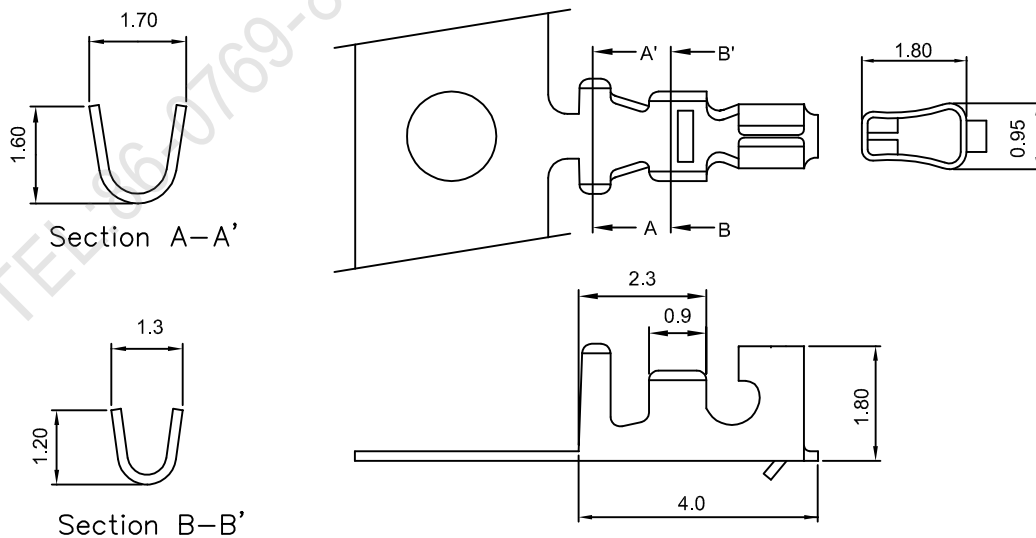
# 11251 1.25mm PITCH CRIMP TERMINAL

### Features:

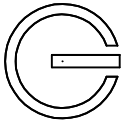
THICKNESS: 0.15mm

MAT'L: PHOSPHOR BRONZE TIN PLATED

MATES WITH: 11251H SERIES HOUSING



Part No	Wire Range	Material	Finish	Qty/reel
11251	AWG#18-32	phosphor bronze	Tin-plated	25,000

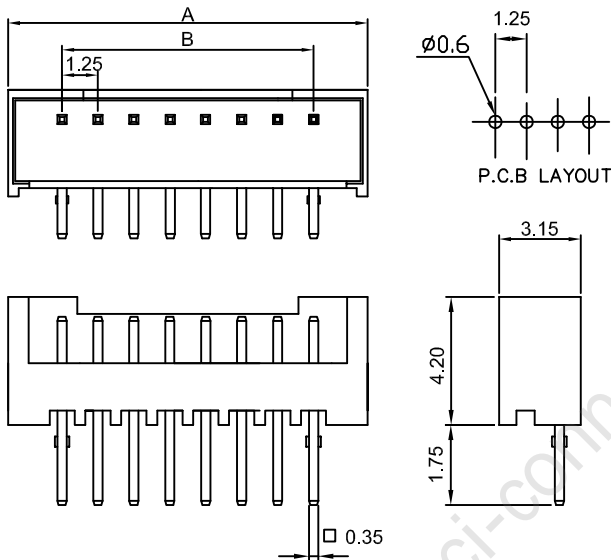


# 11251PS 1.25mm PITCH 180° WAFER

### Features:

MAT'L: BODY: NYLON 66 UL94V-0  
 PINS: BRASS TIN PLATED  
 MATES WITH: 11251H SERIES HOUSING  
 ACCEPTS WITH: 11251 SERIES TERMINAL

unit: mm



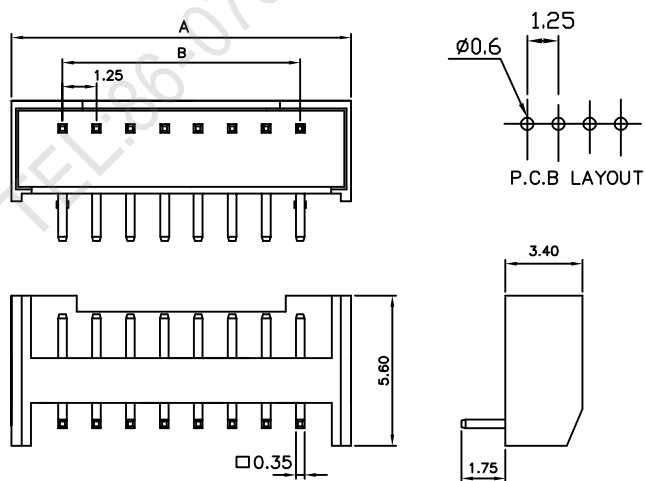
PRAT NO.	A	B
11251PS-02	4.3	1.25
11251PS-03	5.55	2.50
11251PS-04	6.80	3.75
11251PS-05	8.05	5.00
11251PS-06	9.30	6.25
11251PS-07	10.55	7.50
11251PS-08	11.80	8.75
11251PS-09	13.05	10.00
11251PS-10	14.30	11.25
11251PS-11	15.55	12.50
11251PS-12	16.80	13.75
11251PS-13	18.05	15.00
11251PS-14	19.30	16.25
11251PS-15	20.55	17.50

# 11251PR 1.25mm PITCH 90° WAFER

### Features:

MAT'L: BODY: NYLON 66 UL94V-0  
 PINS: BRASS TIN PLATED  
 MATES WITH: 11251H SERIES HOUSING  
 ACCEPTS WITH: 11251 SERIES TERMINAL

unit: mm



PRAT NO.	A	B
11251PR-02	4.25	1.25
11251PR-03	5.55	2.50
11251PR-04	6.75	3.75
11251PR-05	8.00	5.00
11251PR-06	9.25	6.25
11251PR-07	10.5	7.50
11251PR-08	11.75	8.75
11251PR-09	13.0	10.00
11251PR-10	14.25	11.25
11251PR-11	15.5	12.50
11251PR-12	16.75	13.75
11251PR-13	18.0	15.00
11251PR-14	19.25	16.25
11251PR-15	20.50	17.50