

## 2040H SERIES

2.0mm PITCH WIRE TO BOARD CONNECTOR

### ● Specifications

Current rating: 1A AC,DC

Voltage rating: 100V AC,DC

Temperature range:  $-25^{\circ}\text{C}$  to  $+895^{\circ}\text{C}$   
(including temperature rise)

Contact resistance: Initial value/10m  $\Omega$  Max.

After environmental testing/20m  $\Omega$  Max.

Insulation resistance: 500M  $\Omega$  MIN.

Withstanding voltage: 1200V AC/minute

Applicable wire: AWG#26-30

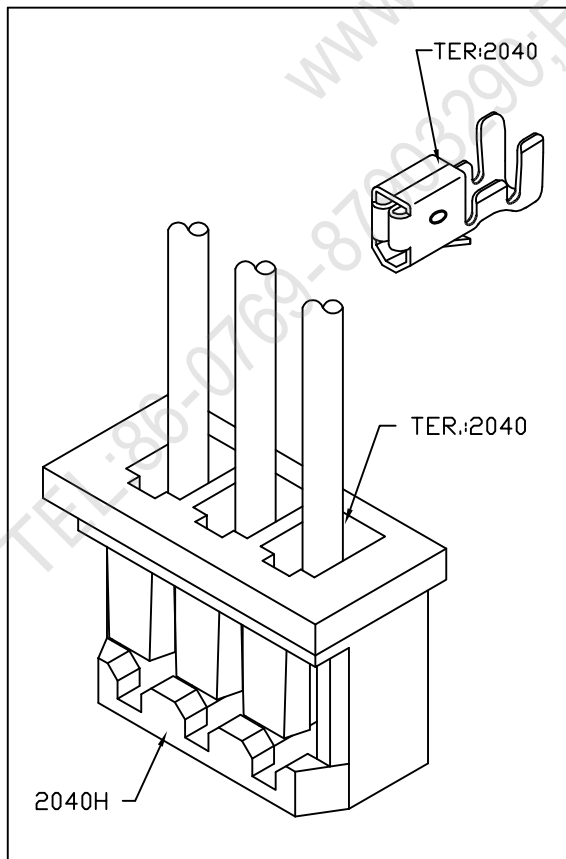
### ● Standards



E115256



LR84767



Assembly layout



**2040H**

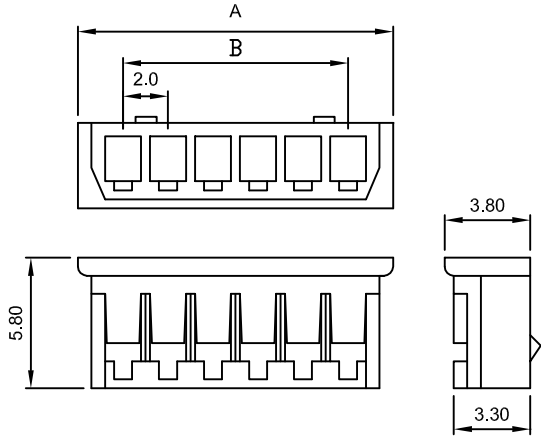
2.0mm PITCH CRIMP HOUSING

**Features:**

MAT'L: NYLON 66 UL94V-2 OR UL94V-0

MATES WITH: 2040 SERIES TERMINAL

unit: mm



P/NO.	A	B
2040H-02	6.0	2.0
2040H-03	8.0	4.0
2040H-04	10.0	6.0
2040H-05	12.0	8.0
2040H-06	14.0	10.0
2040H-07	16.0	12.0
2040H-08	18.0	14.0
2040H-09	20.0	16.0
2040H-10	22.0	18.0
2040H-11	24.0	20.0
2040H-12	26.0	22.0
2040H-13	28.0	24.0
2040H-14	30.0	26.0
2040H-15	32.0	28.0

**2040**

2.0mm PITCH CRIMP TERMINAL

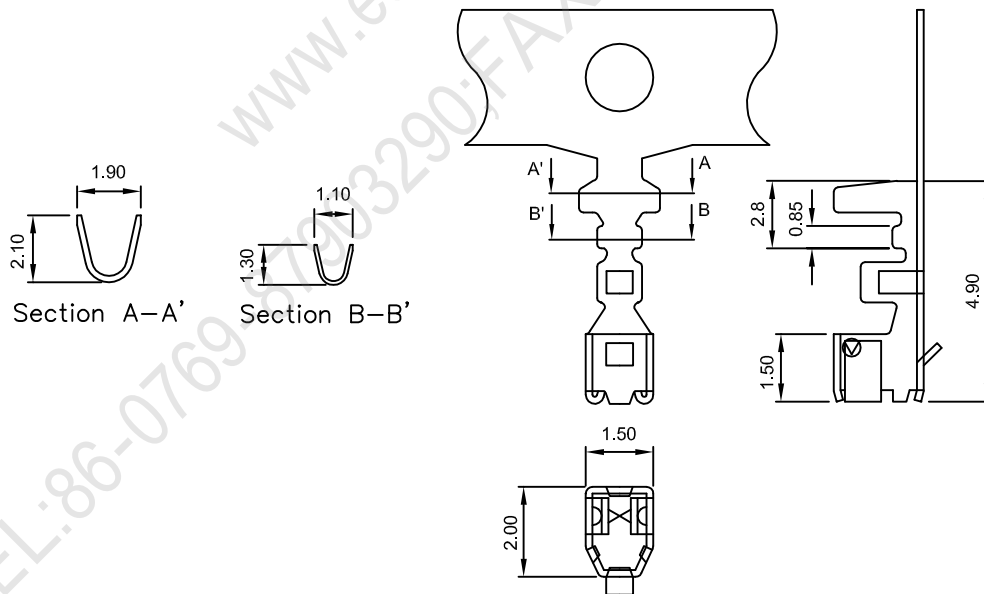
**Features:**

THICKNESS: 0.15mm

MAT'L: PHOSPHOR BRONZE TIN PLATED

MATES WITH: 2040H SERIES HOUSING

unit: mm



Part No	Wire Range	Insulation O.D.	Material	Finish	Qty/reel
2040-P	AWG#26-#30	ø1.4mm max	PHOSPHOR BRONZE	Tin-plated	10,000