

12100H SERIES

2.0mm PITCH WIRE TO BOARD CONNECTOR

● Specifications

Current rating: 1A AC,DC

Voltage rating: 100V AC,DC

Temperature range: -25°C to $+85^{\circ}\text{C}$
(including temperature rise)

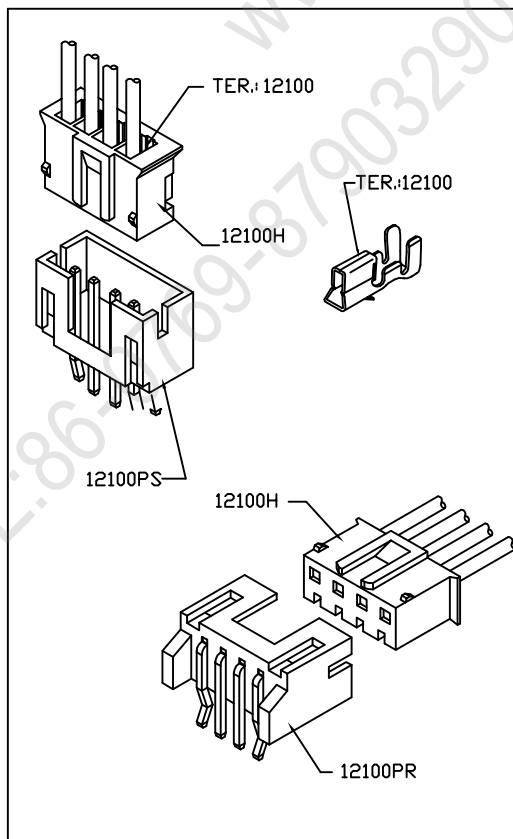
Contact resistance: Initial value/10m Ω Max.
After environmental testing/20m Ω Max.

Insulation resistance: 500M Ω MIN.

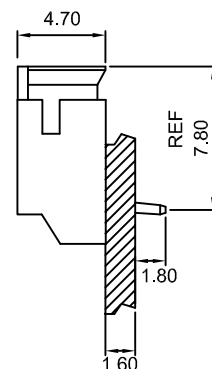
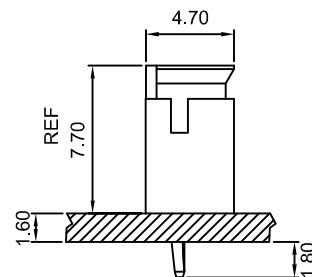
Withstanding voltage: 1200V AC/minute

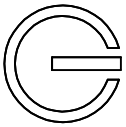
Applicable wire: AWG#26-28

● Standards



Assembly layout





12100H

2.0mm PITCH HOUSING

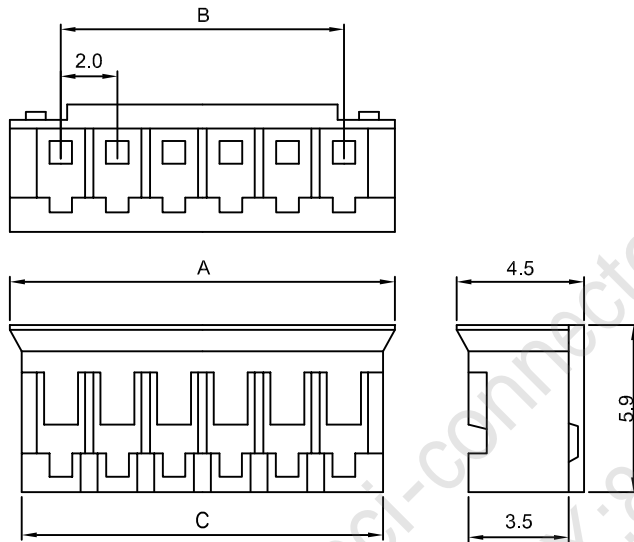
Features:

MAT'L: NYLON 66 UL94V-0

MATES WITH 12100 SERIES TERMINAL

ACCEPTS WITH 12100PS 12100PR SERIES WAFER

unit:mm



PART NO.	A	B	C
12100H-02	5.60	2.00	4.60
12100H-03	7.60	4.00	6.60
12100H-04	9.60	6.00	8.60
12100H-05	11.6	8.00	10.6
12100H-06	13.6	10.0	12.6
12100H-07	15.6	12.0	14.6
12100H-08	17.6	14.0	16.6
12100H-09	19.6	16.0	18.6
12100H-10	21.6	18.0	20.6
12100H-11	23.6	20.0	22.6
12100H-12	25.6	22.0	24.6
12100H-13	27.6	24.0	26.6
12100H-14	29.6	26.0	28.6
12100H-15	31.6	28.0	30.6

12100

2.0mm PITCH TERMINAL

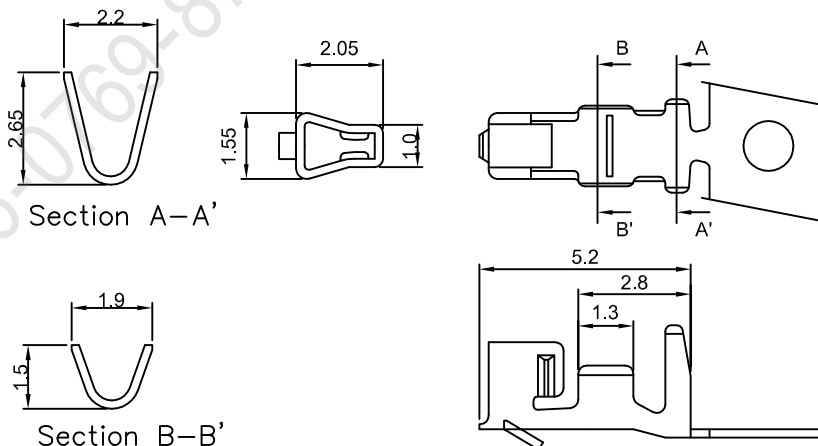
Features:

THICKNESS: 0.2 mm

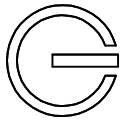
MAT'L: PHOSPHOR BRONZE TIN PLATED

MATES WITH 12100H SERIES HOUSING

unit:mm



Part No	Wire Range	Material	Finish	Qty/reel
12100	AWG#26-28	Phosphor Bronze	Tin-plated	10,000



12100PS

2.0mm PITCH 180° WAFER

Features:

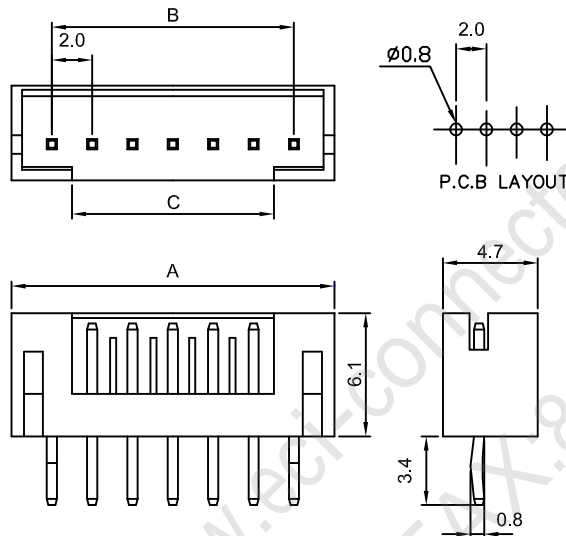
MAT'L: BODY: NYLON 66 UL94V-0

PINS: BRASS TIN PLATED

MATES WITH: 12100H SERIES HOUSING

ACCEPTS WITH: 12100 SERIES TERMINAL

unit:mm



PART NO.	A	B	C
12100PS-02	6.00	2.00	1.00
12100PS-03	8.00	4.00	2.00
12100PS-04	10.0	6.00	4.00
12100PS-05	12.0	8.00	6.00
12100PS-06	14.0	10.0	8.00
12100PS-07	16.0	12.0	10.0
12100PS-08	18.0	14.0	12.0
12100PS-09	20.0	16.0	14.0
12100PS-10	22.0	18.0	16.0
12100PS-11	24.0	20.0	18.0
12100PS-12	26.0	22.0	20.0
12100PS-13	28.0	24.0	22.0
12100PS-14	30.0	26.0	24.0
12100PS-15	32.0	28.0	26.0

12100PR

2.0mm PITCH 90° WAFER

Features:

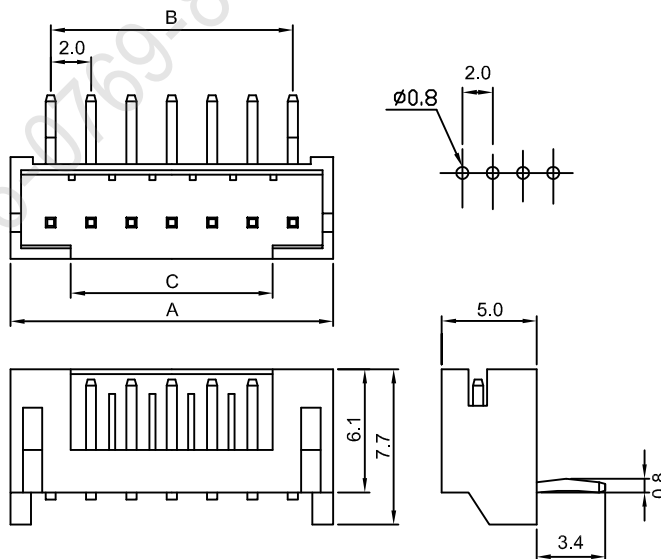
MAT'L: BODY: NYLON 66 UL94V-0

PINS: BRASS TIN PLATED

MATES WITH: 12100H SERIES HOUSING

ACCEPTS WITH: 12100 SERIES TERMINAL

unit:mm



PART NO.	A	B	C
12100PR-02	5.60	2.00	0.80
12100PR-03	7.60	4.00	1.60
12100PR-04	9.60	6.00	3.60
12100PR-05	11.6	8.00	5.60
12100PR-06	13.6	10.0	7.60
12100PR-07	15.6	12.0	9.60
12100PR-08	17.6	14.0	11.6
12100PR-09	19.6	16.0	13.6
12100PR-10	21.6	18.0	15.6
12100PR-11	23.6	20.0	17.6
12100PR-12	25.6	22.0	19.6
12100PR-13	27.6	24.0	21.6
12100PR-14	29.6	26.0	23.6
12100PR-15	31.6	28.0	25.6