

2220H SERIES

2.0mm PITCH WIRE TO BOARD CONNECTOR

● Specifications

Current rating: 1A AC,DC

Voltage rating: 100V AC,DC

Temperature range: -25°C to $+85^{\circ}\text{C}$
(including temperature rise)

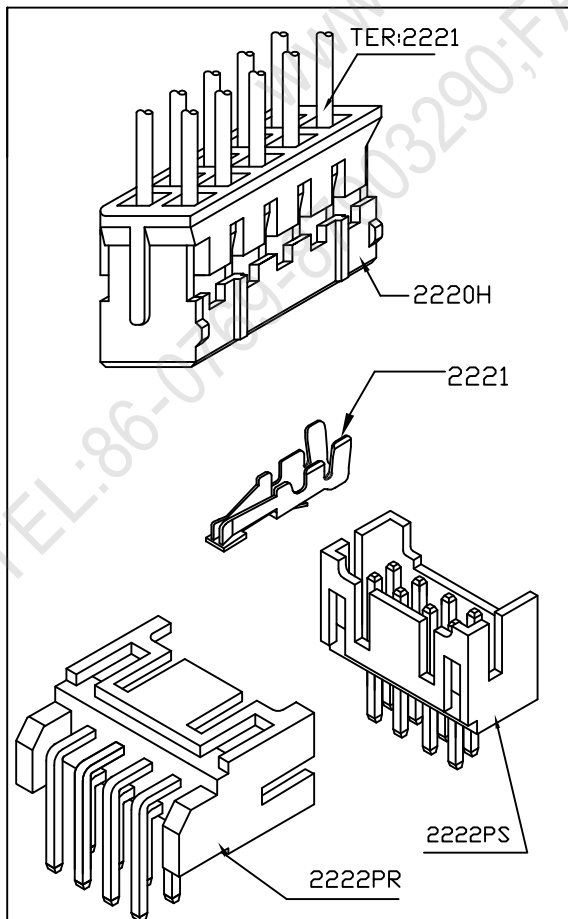
Contact resistance: Initial value/20m Ω Max.
After environmental testing/20m Ω Max.

Insulation resistance: 1000M Ω MIN.

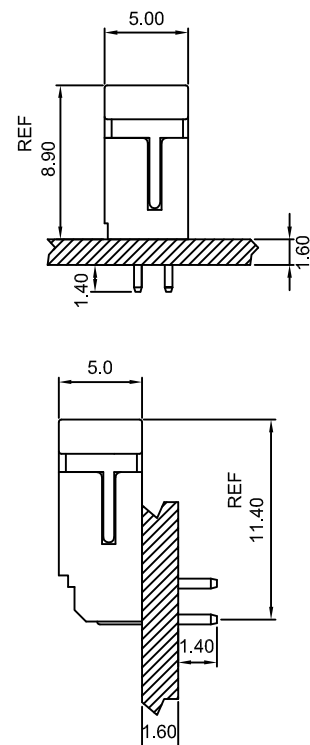
Withstanding voltage: 800V AC/minute

Applicable wire: AWG#24-28

● Standards



Assembly layout

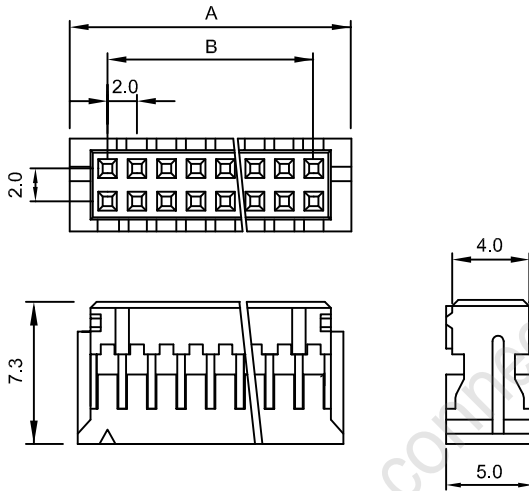




2220H 2.0 mm PITCH HOUSING

Features:

MAT'L: NYLON 66 UK 94V-0
 MATES WITH: 2221 SERIES TERMINAL
 ACCEPTS WITH: 2222PS 2222PR SERIES WAFER

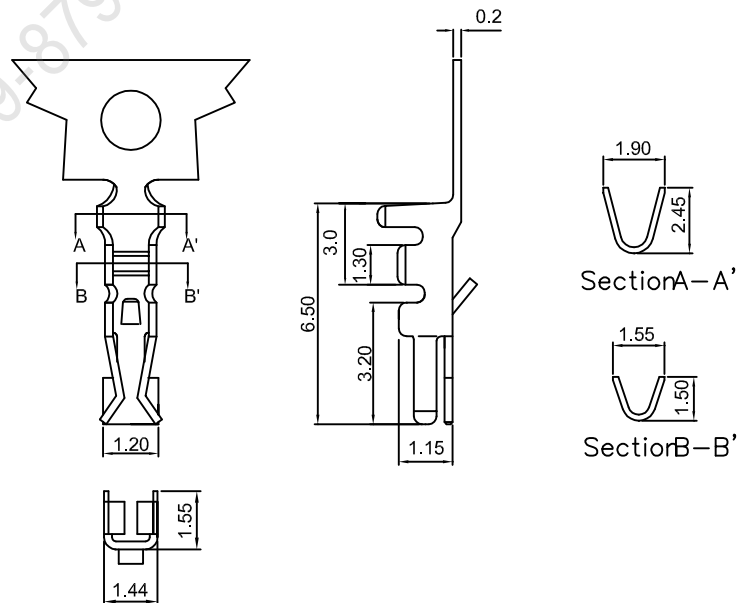


MODEL NO	DIMENSIONS	
	A	B
2220H-2X2	5.9	2.00
2220H-2X3	7.90	4.00
2220H-2X4	9.90	6.00
2220H-2X5	11.90	8.00
2220H-2X6	13.90	10.00
2220H-2X7	15.90	12.00
2220H-2X8	17.90	14.00
2220H-2X9	19.90	16.00
2220H-2X10	21.90	18.00
2220H-2X11	23.90	20.00
2220H-2X12	25.90	22.00
2220H-2X13	27.90	24.00
2220H-2X14	29.90	26.00
2220H-2X15	31.90	28.00
2220H-2X16	33.90	30.00

2221 2.0mm PITCH TERMINAL

Features:

THICKNESS: 0.20mm
 MATES WITH: 2220 SERIES HOUSING
 ACCEPTS WITH: 2222PS 2222PR SERIES WAFER



Part No	Wire Range	Insulation O.D.	Material	Finish	Qty/reel
2221	AWG#24-28	1.60mm(max)	Phosphor Bronze	Tin-plated	10,000



2222PS

2.0mm PITCH 180° WAFER

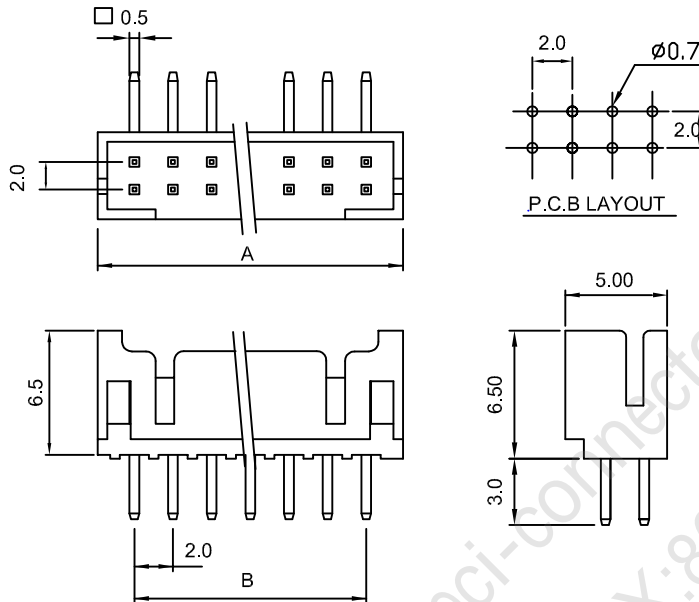
Features:

MAT'L: BODY: NYLON 66 UL 94V-0

PINS: BRASS TIN LATED

MATES WITH: 2221 SERIES TERMINAL

ACCEPTS WITH: 2220H SERIES HOUSING



MODEL NO	DIMENSIONS	
	A	B
2222PS-2X2	5.9	2.00
2222PS-2X3	7.90	4.00
2222PS-2X4	9.90	6.00
2222PS-2X5	11.90	8.00
2222PS-2X6	13.90	10.00
2222PS-2X7	15.90	12.00
2222PS-2X8	17.90	14.00
2222PS-2X9	19.90	16.00
2222PS-2X10	21.90	18.00
2222PS-2X11	23.90	20.00
2222PS-2X12	25.90	22.00
2222PS-2X13	27.90	24.00
2222PS-2X14	29.90	26.00
2222PS-2X15	31.90	28.00
2222PS-2X16	33.90	30.00

2222PR

2.0mm PITCH 90° WAFER

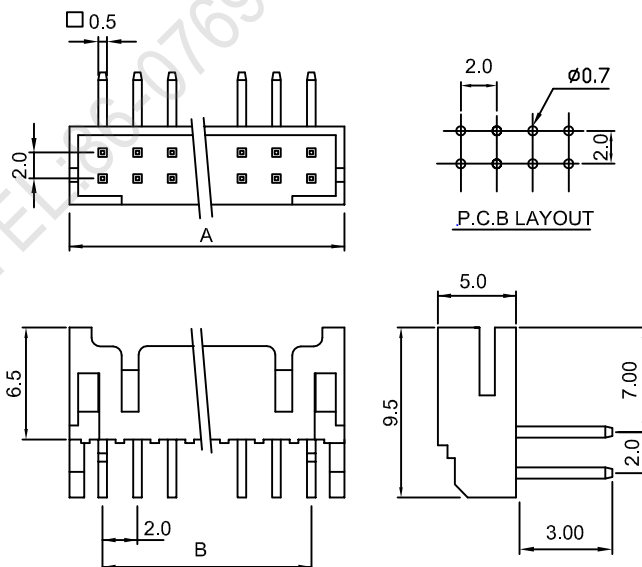
Features:

MAT'L: BODY: NYLON 66 UL 94V-0

PINS: BRASS TIN LATED

MATES WITH: 2221 SERIES TERMINAL

ACCEPTS WITH: 2220H SERIES HOUSING



MODEL NO	DIMENSIONS	
	A	B
2222PR-2X2	5.9	2.00
2222PR-2X3	7.90	4.00
2222PR-2X4	9.90	6.00
2222PR-2X5	11.90	8.00
2222PR-2X6	13.90	10.00
2222PR-2X7	15.90	12.00
2222PR-2X8	17.90	14.00
2222PR-2X9	19.90	16.00
2222PR-2X10	21.90	18.00
2222PR-2X11	23.90	20.00
2222PR-2X12	25.90	22.00
2222PR-2X13	27.90	24.00
2222PR-2X14	29.90	26.00
2222PR-2X15	31.90	28.00
2222PR-2X16	33.90	30.00