

2020 SERIES

2.0mm PITCH WIRE TO BOARD CONNECTOR

● Specifications

Current rating: 1A AC,DC

Voltage rating: 250V AC,DC

Temperature range: -25°C to $+85^{\circ}\text{C}$
(including temperature rise)

Contact resistance: Initial value/10m Ω Max.

After environmental testing/20m Ω Max.

Insulation resistance: 1000M Ω MIN.

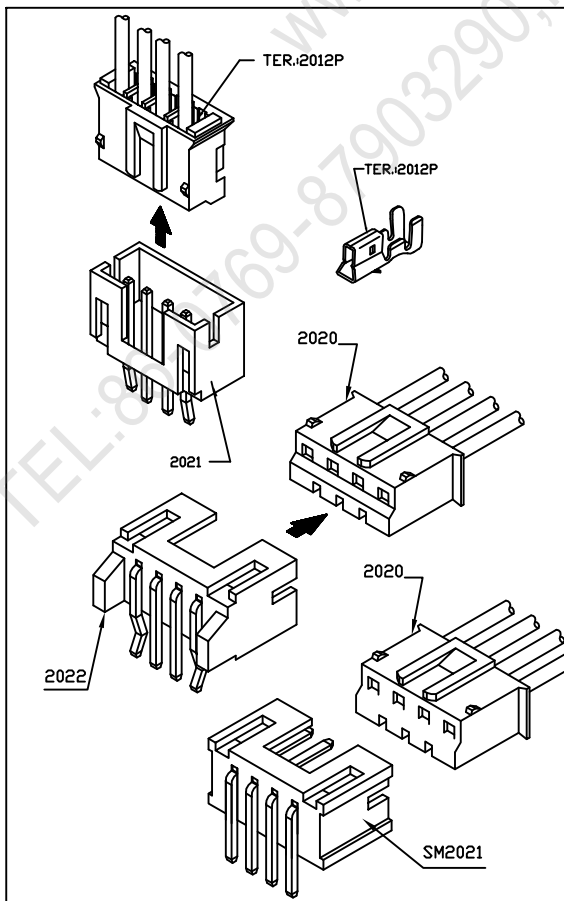
Withstanding voltage: 1000V AC/minute

Applicable wire: AEG#24-30

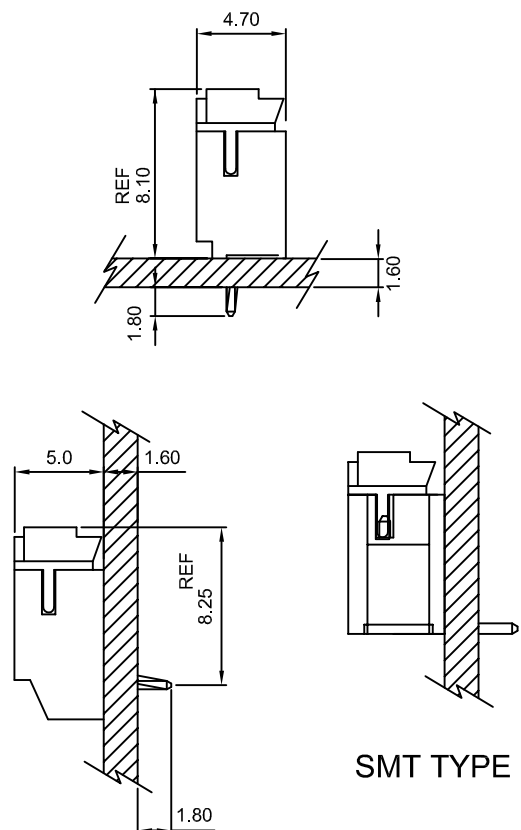
● Standards

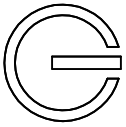


E115256



Assembly layout





2020

2.0mm PITCH HOUSING

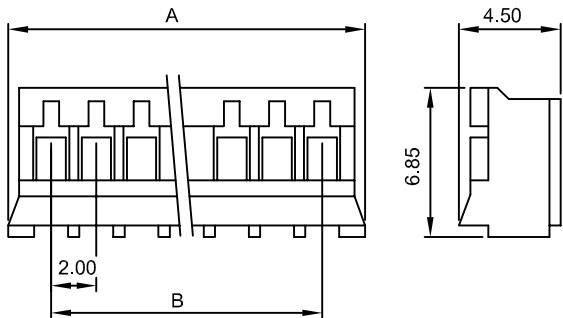
Features:

MAT'L: NYLON 66 UL94V-0

MATES WITH: 2012P SERIES TERMINAL

ACCEPTS WITH 2021 & 2022 SERIES WAFER

unit: mm



PART NO.	A	B	PART NO.	A	B
2020-02	5.8	2.0	2020-12	25.8	22.0
2020-03	7.8	4.0	2020-13	27.8	24.0
2020-04	9.8	6.0	2020-14	29.8	26.0
2020-05	11.8	8.0	2020-15	31.8	28.0
2020-06	13.8	10.0	2020-16	33.8	30.0
2020-07	15.8	12.0	2020-17	35.8	32.0
2020-08	17.8	14.0	2020-18	37.8	34.0
2020-09	19.8	16.0	2020-19	39.8	36.0
2020-10	21.8	18.0	2020-20	41.8	38.0
2020-11	23.8	20.0			

2012P

2.0mm PITCH CRIMP TERMINAL

Features:

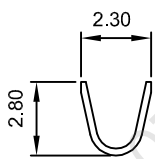
unit: mm

THICKNESS: 0.20mm

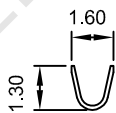
MATES WITH: 2020 SERIES HOUSING

ACCEPTS WITH: 2021 & 2022 SERIES WAFER

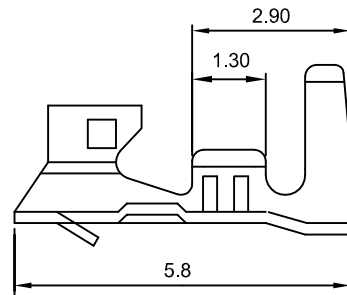
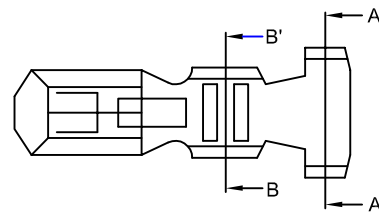
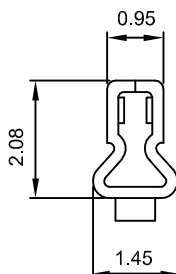
ACCEPTS: 0.5mm(.02") SQUARE OR ROUND PIN



Section A-A'



Section B-B'



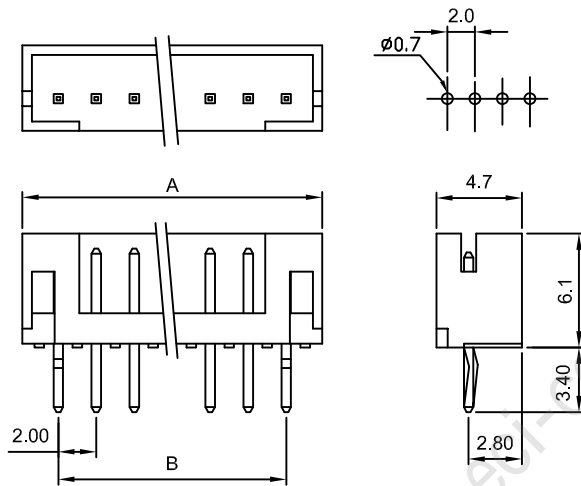
Part No	Wire Range	Insulation O.D.	Material	Finish	Qty/reel
2012-P	AWG#24-#30	ø1.4mm max	PHOSPHOR BRONZE	Tin-plated	10,000

**2021**

2.0mm PITCH 180° WAFER

Features:

MAT'L: BODY: NYLON 66 UL 94V-0
 PINS: BRASS TIN PLATED
 MATES WITH 2020 SERIES HOUSING
 0.5mm(.02") STRAIGHT SQ. PIN



unit: mm

PART NO.	A	B
2021-02	6.0	2.0
2021-03	8.0	4.0
2021-04	10.0	6.0
2021-05	12.0	8.0
2021-06	14.0	10.0
2021-07	16.0	12.0
2021-08	18.0	14.0
2021-09	20.0	16.0
2021-10	22.0	18.0
2021-11	24.0	20.0

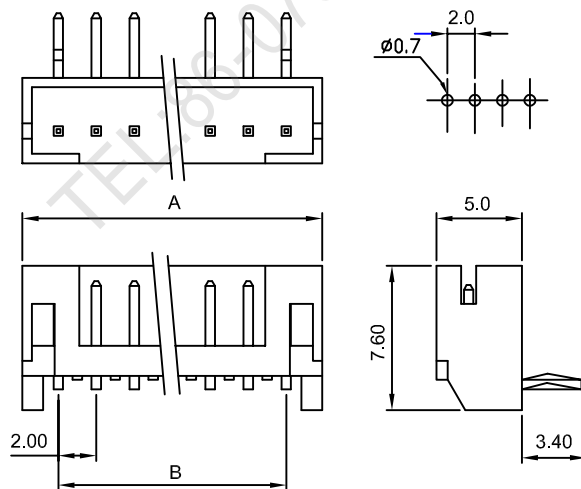
PART NO.	A	B
2021-12	26.0	22.0
2021-13	28.0	24.0
2021-14	30.0	26.0
2021-15	32.0	28.0
2021-16	34.0	30.0
2021-17	36.0	32.0
2021-18	38.0	34.0
2021-19	40.0	36.0
2021-20	42.0	38.0

2022

2.0mm PITCH 90° WAFER

Features:

MAT'L: BODY: NYLON 66 UL 94V-0
 PINS: BRASS TIN PLATED
 MATES WITH 2020 SERIES HOUSING
 0.5mm(.02") STRAIGHT SQ. PIN



unit: mm

PART NO.	A	B
2022-02	6.0	2.0
2022-03	8.0	4.0
2022-04	10.0	6.0
2022-05	12.0	8.0
2022-06	14.0	10.0
2022-07	16.0	12.0
2022-08	18.0	14.0
2022-09	20.0	16.0
2022-10	22.0	18.0
2022-11	24.0	20.0

PART NO.	A	B
2022-12	26.0	22.0
2022-13	28.0	24.0
2022-14	30.0	26.0
2022-15	32.0	28.0
2022-16	34.0	30.0
2022-17	36.0	32.0
2022-18	38.0	34.0
2022-19	40.0	36.0
2022-20	42.0	38.0

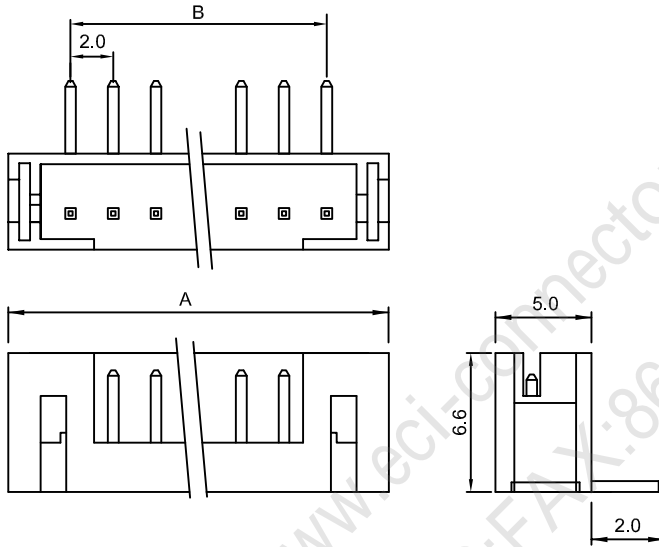


SM2021 2.0mm PITCH 90° WAFER

Features:

MAT'L: BODY: NYLON 66 UL 94V-0
PINS: BRASS TIN PLATED
MATES WITH 2020 SERIES HOUSING
0.5mm(.02") STRAIGHT SQ. PIN

unit: mm



PART NO.	A	B
SM2021-02	7.9	2.0
SM2021-03	9.9	4.0
SM2021-04	11.9	6.0
SM2021-05	13.9	8.0
SM2021-06	15.9	10.0
SM2021-07	17.9	12.0
SM2021-08	19.9	14.0
SM2021-09	21.9	16.0
SM2021-10	23.9	18.0
SM2021-11	23.8	20.0
SM2021-12	25.8	22.0
SM2021-13	27.8	24.0
SM2021-14	29.8	26.0
SM2021-15	31.8	28.0
SM2021-16	35.9	30.0