

1270H SERIES

—1.27mm PITCH DISK DRIVE POWER CONNECTOR—

● Specifications

Current rating: 1.5A AC,DC

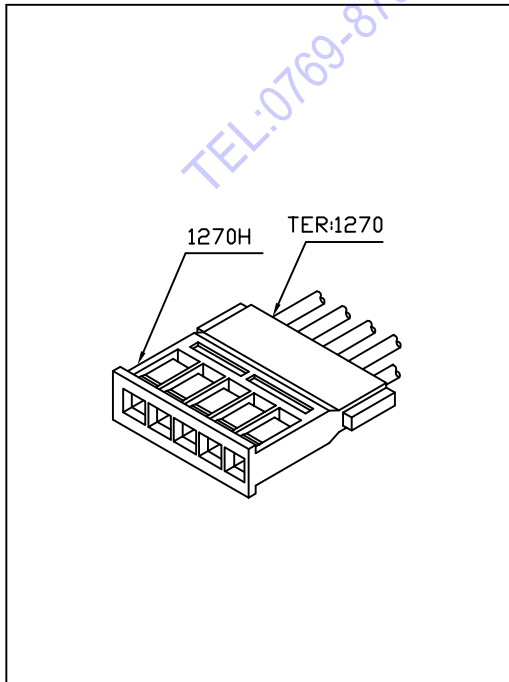
Voltage rating: 30V AC,DC

Temperature range: -40°C to $+105^{\circ}\text{C}$
(including temperature rise)

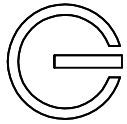
Insulation resistance: 1000M Ω MIN.

Withstanding voltage: 500V AC/minute

● Standards



Assembly layout



1270H-05

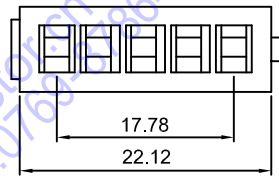
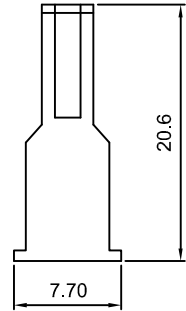
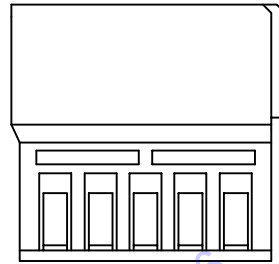
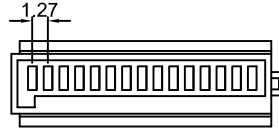
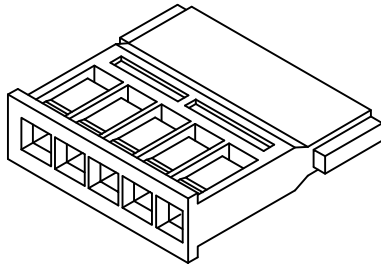
1.27mm PITCH

HOUSING

Features:

MAT'L: PBT UL94V-0
 MATES WITH: 1270 SERIES TERMINAL

unit: mm



1270

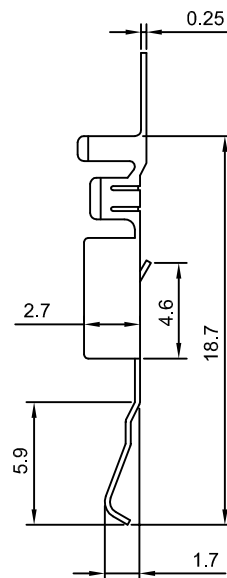
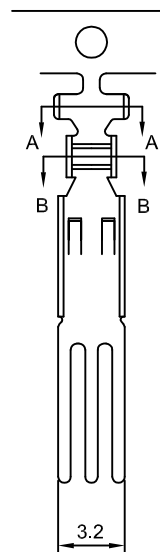
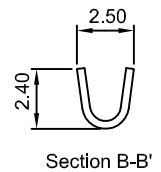
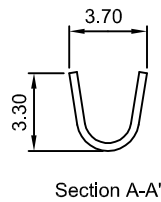
1.27mm PITCH

TERMINAL

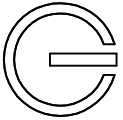
unit: mm

Features:

THICKNESS: 0.25mm
 MAT'L: PHOSPHOR BRONZE TIN & GOLD PLATED
 MATES WITH: 1270H SERIES HOUSING



Part No	Wire Range	Insulation O.D.	Material	Finish	Qty/reel
1271	AWG#18	2.1mm max	PHOSPHOR BRONZE	gold-flash	6000



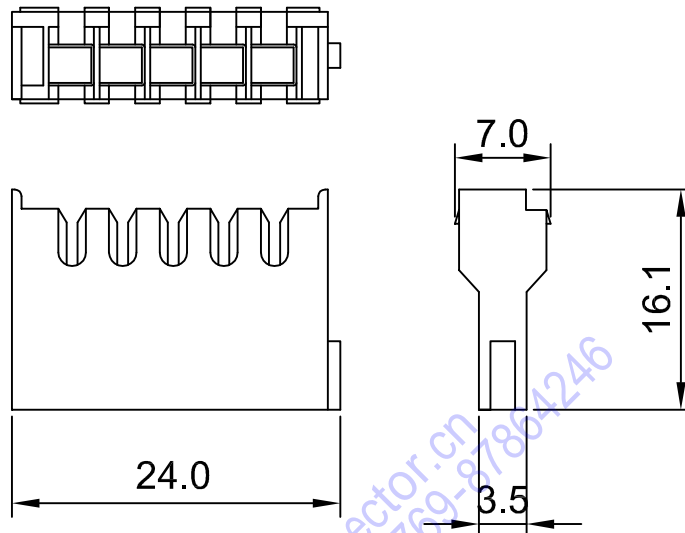
S1270

1.27mm PITCH

Features:

MAT'L: PBT UL94V-0

unit: mm



S1270C S1270CA

1.27mm PITCH

Features:

MAT'L: PBT UL94V-0

unit: mm

S1270CA

S1270C

