

# 2031H SERIES

2.0mm PITCH WIRE TO BOARD CONNECTOR

## ● Specifications

Current rating: 1A AC,DC

Voltage rating: 250V AC,DC

Temperature range:  $-25^{\circ}\text{C}$  to  $+85^{\circ}\text{C}$   
(including temperature rise)

Contact resistance: Initial value/10m  $\Omega$  Max.

After environmental testing/20m  $\Omega$  Max.

Insulation resistance: 500M  $\Omega$  MIN.

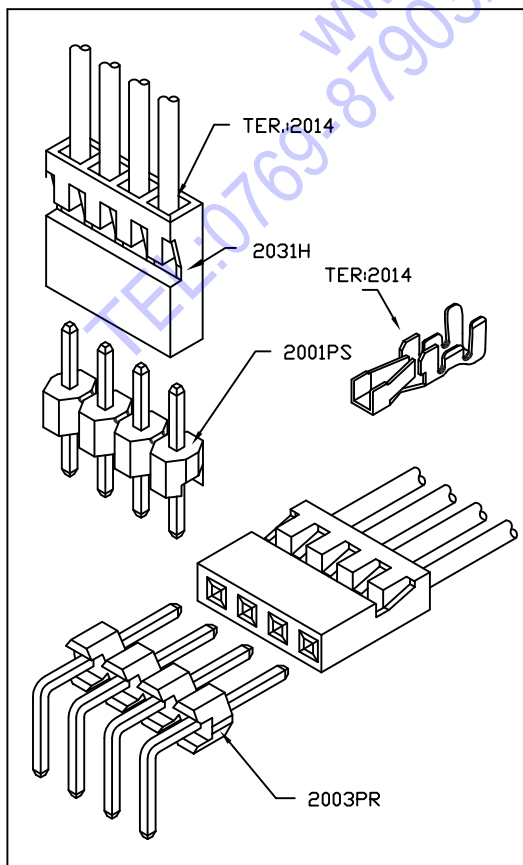
Withstanding voltage: 1500V AC/minute

Applicable wire: AWG#26-28

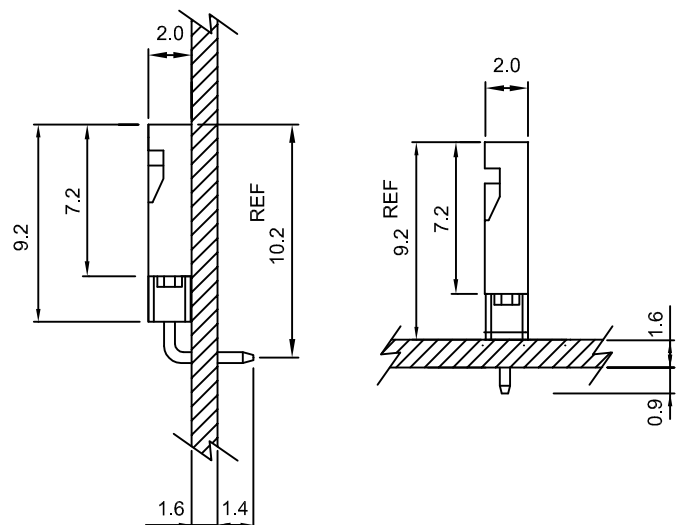
## ● Standards

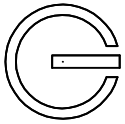


E115256



Assembly layout





# 2032H

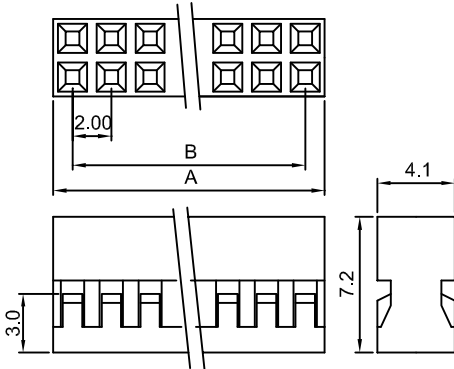
## 2.0mm PITCH CRIMP HOUSING

### Features:

MAT'L: NYLON 66 UL94V-2

MATES WITH 2014 SERIES TERMINAL

unit: mm



PART NO.	A	B	PART NO.	A	B	PART NO.	A	B
2032H-2X2	4.0	2.0	2032H-2X16	32.0	30.0	2032H-2X30	60.0	58.0
2032H-2X3	6.0	4.0	2032H-2X17	34.0	32.0	2032H-2X31	62.0	60.0
2032H-2X4	8.0	6.0	2032H-2X18	36.0	34.0	2032H-2X32	64.0	62.0
2032H-2X5	10.0	8.0	2032H-2X19	38.0	36.0	2032H-2X33	66.0	64.0
2032H-2X6	12.0	10.0	2032H-2X20	40.0	38.0	2032H-2X34	68.0	66.0
2032H-2X7	14.0	12.0	2032H-2X21	42.0	40.0	2032H-2X35	70.0	68.0
2032H-2X8	16.0	14.0	2032H-2X22	44.0	42.0	2032H-2X36	72.0	70.0
2032H-2X9	18.0	16.0	2032H-2X23	46.0	44.0	2032H-2X37	74.0	72.0
2032H-2X10	20.0	18.0	2032H-2X24	48.0	46.0	2032H-2X38	76.0	74.0
2032H-2X11	22.0	20.0	2032H-2X25	50.0	48.0	2032H-2X39	78.0	76.0
2032H-2X12	24.0	22.0	2032H-2X26	52.0	50.0	2032H-2X40	80.0	78.0
2032H-2X13	26.0	24.0	2032H-2X27	54.0	52.0			
2032H-2X14	28.0	26.0	2032H-2X28	56.0	54.0			
2032H-2X15	30.0	28.0	2032H-2X29	58.0	56.0			

# 2032H

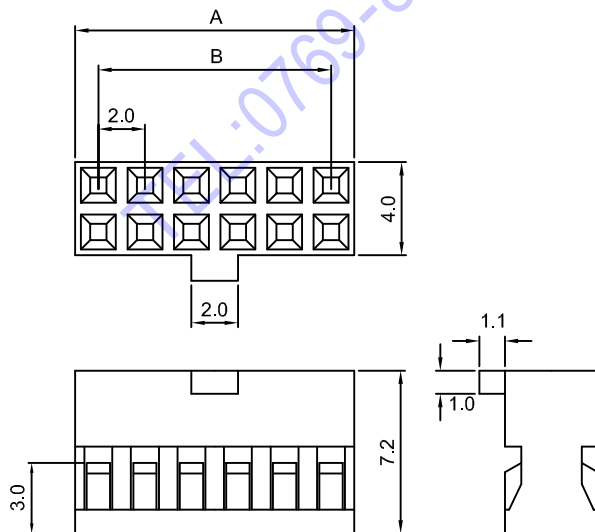
## 2.0mm PITCH CRIMP HOUSING

### Features:

MAT'L: NYLON 66 UL94V-2

MATES WITH 2014 SERIES TERMINAL

unit: mm



PART NO.	A	B	PART NO.	A	B
2032H-2X	4.0	2.0	2032H-2X14	28.0	26.0
2032H-2X3	6.0	4.0	2032H-2X15	30.0	28.0
2032H-2X4	8.0	6.0	2032H-2X16	32.0	30.0
2032H-2X5	10.0	8.0	2032H-2X17	34.0	32.0
2032H-2X6	12.0	10.0	2032H-2X18	36.0	34.0
2032H-2X7	14.0	12.0	2032H-2X19	38.0	36.0
2032H-2X8	16.0	14.0	2032H-2X20	40.0	38.0
2032H-2X9	18.0	16.0	2032H-2X21	42.0	40.0
2032H-2X10	20.0	18.0	2032H-2X22	44.0	42.0
2032H-2X11	22.0	20.0	2032H-2X23	46.0	44.0
2032H-2X12	24.0	22.0	2032H-2X24	48.0	46.0
2032H-2X13	26.0	24.0	2032H-2X25	50.0	48.0



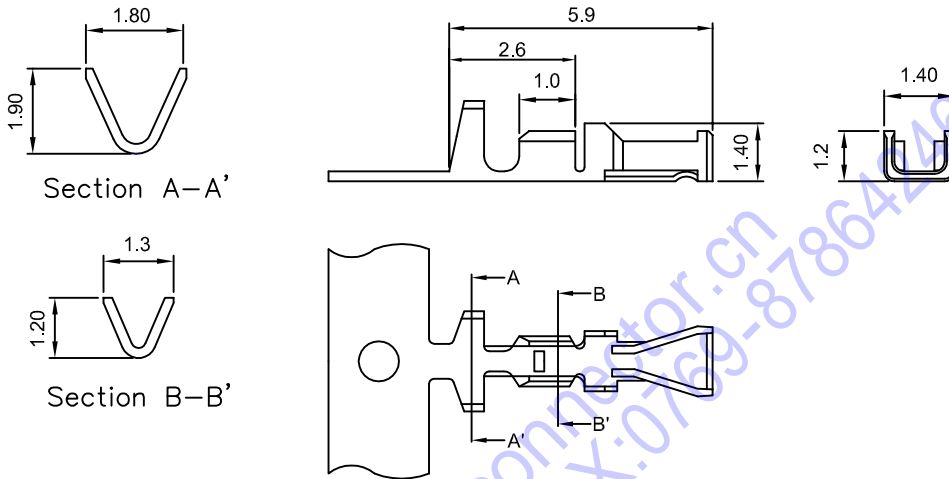
**2014**

2.0mm PITCH CRIMP TERMINAL

**Features:**

unit: mm

- THICKNESS: 0.2mm
- MAT'L: PHOSPHOR BRONZE WITH TIN NICKEL, LEAD OR GOLD PLATING
- MATES WITH: 2031H & 2032H SERIES HOUSING
- ACCEPTS PIN SIZE: 0.5mm (.02") ROUND OR SQUARE PIN
- ACCEPTS WITH: 2001PS, 2002PS 2003PR, 2004PR SERIES WAFER



Part No	Wire Range	Insulation O.D.	Material	Finish	Qty/reel
2014-P	AWG#26-#28	1.35mm(max)	PHOSPHOR BRONZE	Tin-plated	20,000

**2031H 2031KEY**

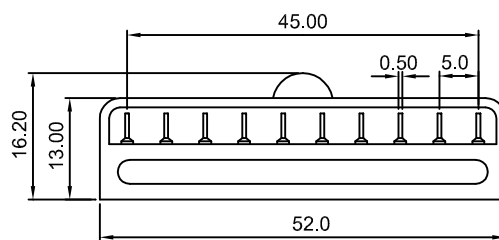
2.0mm PITCH CRIMP HOUSING

unit: mm

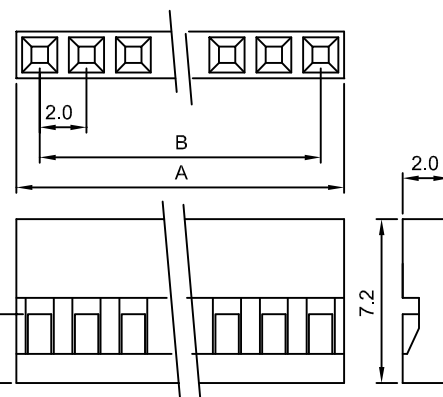
**Features:**

- MAT'L: NYLON 66 UL94V-2
- MATES WITH 2014 SERIES TERMINAL

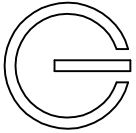
**2031KEY**



**2031H**

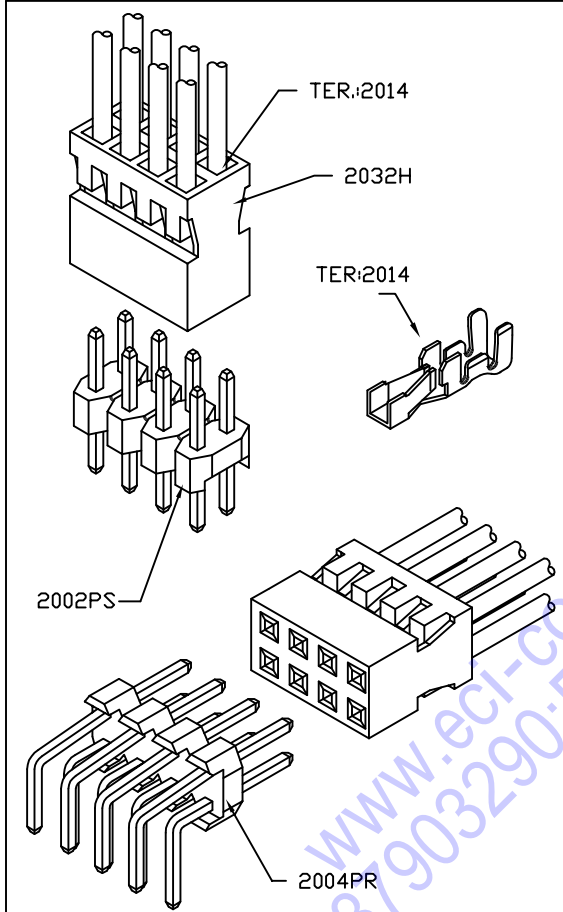


PART NO.	A	B	PART NO.	A	B	PART NO.	A	B
2031H-02	4.0	2.0	2031H-16	32.0	30.0	2031H-30	60.0	58.0
2031H-03	6.0	4.0	2031H-17	34.0	32.0	2031H-31	62.0	60.0
2031H-04	8.0	6.0	2031H-18	36.0	34.0	2031H-32	64.0	62.0
2031H-05	10.0	8.0	2031H-19	38.0	36.0	2031H-33	66.0	64.0
2031H-06	12.0	10.0	2031H-20	40.0	38.0	2031H-34	68.0	66.0
2031H-07	14.0	12.0	2031H-21	42.0	40.0	2031H-35	70.0	68.0
2031H-08	16.0	14.0	2031H-22	44.0	42.0	2031H-36	72.0	70.0
2031H-09	18.0	16.0	2031H-23	46.0	44.0	2031H-37	74.0	72.0
2031H-10	20.0	18.0	2031H-24	48.0	46.0	2031H-38	76.0	74.0
2031H-11	22.0	20.0	2031H-25	50.0	48.0	2031H-39	78.0	76.0
2031H-12	24.0	22.0	2031H-26	52.0	50.0	2031H-40	80.0	78.0
2031H-13	26.0	24.0	2031H-27	54.0	52.0			
2031H-14	28.0	26.0	2031H-28	56.0	54.0			
2031H-15	30.0	28.0	2031H-29	58.0	56.0			



# 2032H SERIES

2.0mm PITCH WIRE TO BOARD CONNECTOR



## ● Specifications

Current rating: 1A AC,DC

Voltage rating: 250V AC,DC

Temperature range:  $-25^{\circ}\text{C}$  to  $+85^{\circ}\text{C}$   
(including temperature rise)

Contact resistance: Initial value/10m  $\Omega$  Max.

After environmental testing/20m  $\Omega$  Max.

Insulation resistance: 500M  $\Omega$  MIN.

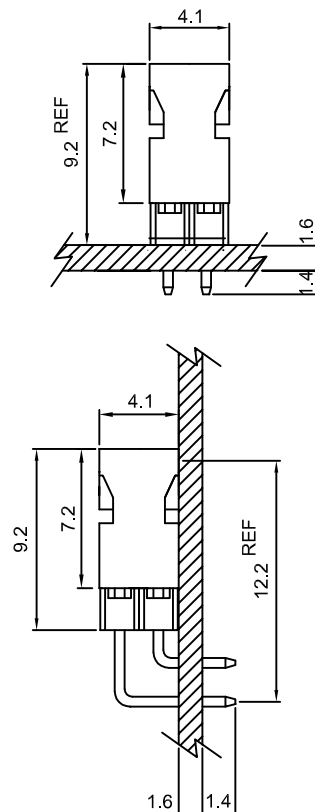
Withstanding voltage: 1500V AC/minute

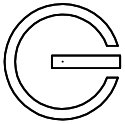
Applicable wire: AWG#26-28

## ● Standards



## Assembly layout





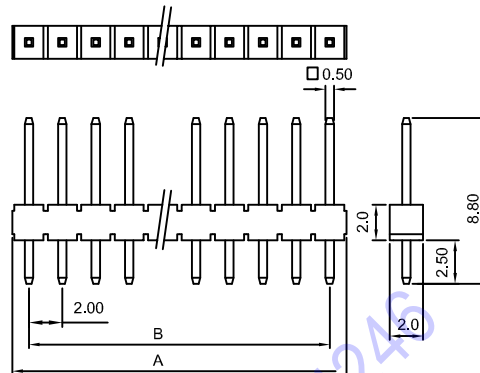
# 2001PS 2002PS SERIES

2.0mm PITCH 180° WAFER

## Features:

MAT'L: BODY: PBT UL 94V-0  
 PINS: BRASS GOLD PLATED  
 MATES WITH: 2014 SERIES TERMINAL  
 ACCEPT WITH: 2031H SERIES HOUSING

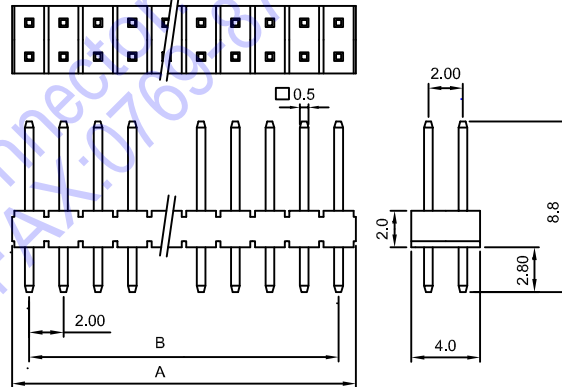
2001PS



## Features:

MAT'L: BODY: PBT UL 94V-0  
 PINS: BRASS GOLD PLATED  
 MATES WITH: 2014 SERIES TERMINAL  
 ACCEPT WITH: 2032H SERIES HOUSING

2002PS



PART NO.	DIM"A"	DIM"B"
2001PS-2	4.00	2.00
2001PS-3	6.00	4.00
2001PS-4	8.00	6.00
2001PS-5	10.00	8.00
2001PS-6	12.00	10.00
2001PS-7	14.00	12.00
2001PS-8	16.00	14.00
2001PS-9	18.00	16.00
2001PS-10	20.00	18.00
2001PS-11	22.00	20.00
2001PS-12	24.00	22.00
2001PS-13	26.00	24.00
2001PS-14	28.00	26.00
2001PS-15	30.00	28.00
2001PS-16	32.00	30.00
2001PS-17	34.00	32.00
2001PS-18	36.00	34.00
2001PS-19	38.00	36.00
2001PS-20	40.00	38.00
2001PS-21	42.00	40.00

PART NO.	DIM"A"	DIM"B"
2001PS-22	44.00	42.00
2001PS-23	46.00	44.00
2001PS-24	48.00	46.00
2001PS-25	50.00	48.00
2001PS-26	52.00	50.00
2001PS-27	54.00	52.00
2001PS-28	56.00	54.00
2001PS-29	58.00	56.00
2001PS-30	60.00	58.00
2001PS-31	62.00	60.00
2001PS-32	64.00	62.00
2001PS-33	66.00	64.00
2001PS-34	68.00	66.00
2001PS-35	70.00	68.00
2001PS-36	72.00	70.00
2001PS-37	74.00	72.00
2001PS-38	76.00	74.00
2001PS-39	78.00	76.00
2001PS-40	80.00	78.00

PART NO.	DIM"A"	DIM"B"
2002PS-2X2	4.00	2.00
2002PS-2X3	6.00	4.00
2002PS-2X4	8.00	6.00
2002PS-2X5	10.00	8.00
2002PS-2X6	12.00	10.00
2002PS-2X7	14.00	12.00
2002PS-2X8	16.00	14.00
2002PS-2X9	18.00	16.00
2002PS-2X10	20.00	18.00
2002PS-2X11	22.00	20.00
2002PS-2X12	24.00	22.00
2002PS-2X13	26.00	24.00
2002PS-2X14	28.00	26.00
2002PS-2X15	30.00	28.00
2002PS-2X16	32.00	30.00
2002PS-2X17	34.00	32.00
2002PS-2X18	36.00	34.00
2002PS-2X19	38.00	36.00
2002PS-2X20	40.00	38.00

PART NO.	DIM"A"	DIM"B"
2002PS-2X22	44.00	42.00
2002PS-2X23	46.00	44.00
2002PS-2X24	48.00	46.00
2002PS-2X25	50.00	48.00
2002PS-2X26	52.00	50.00
2002PS-2X27	54.00	52.00
2002PS-2X28	56.00	54.00
2002PS-2X29	58.00	56.00
2002PS-2X30	60.00	58.00
2002PS-2X31	62.00	60.00
2002PS-2X32	64.00	62.00
2002PS-2X33	66.00	64.00
2002PS-2X34	68.00	66.00
2002PS-2X35	70.00	68.00
2002PS-2X36	72.00	70.00
2002PS-2X37	74.00	72.00
2002PS-2X38	76.00	74.00
2002PS-2X39	78.00	76.00
2002PS-2X40	80.00	78.00



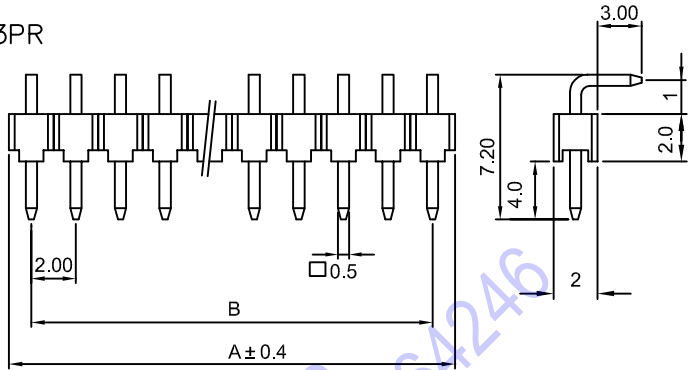
2003PR 2004PR SERIES

2.0mm PITCH 90° WAFER

**Features:**

MAT'L: BODY: PBT UL 94V-0  
 PINS: BRASS GOLD PLATED  
 MATES WITH: 2014 SERIES TERMINAL  
 ACCEPT WITH: 2031H SERIES HOUSING

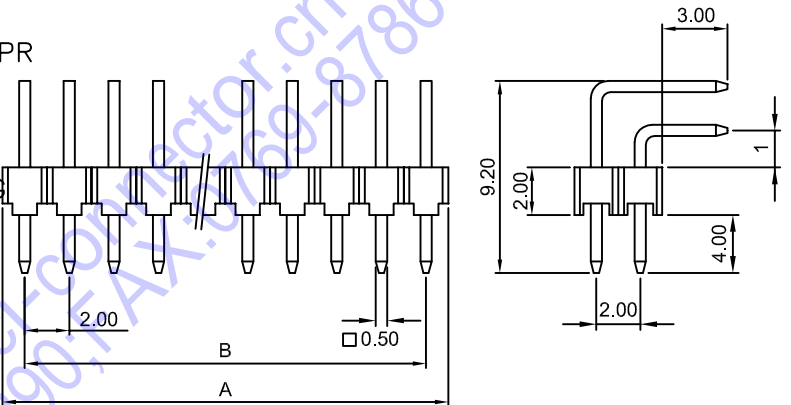
2003PR



**Features:**

MAT'L: BODY: PBT UL 94V-0  
 PINS: BRASS GOLD PLATED  
 MATES WITH: 2014 SERIES TERMINAL  
 ACCEPT WITH: 2032H SERIES HOUSING

2004PR



PART NO.	DIM"A"	DIM"B"
2003PR-2	4.00	2.00
2003PR-3	6.00	4.00
2003PR-4	8.00	6.00
2003PR-5	10.00	8.00
2003PR-6	12.00	10.00
2003PR-7	14.00	12.00
2003PR-8	16.00	14.00
2003PR-9	18.00	16.00
2003PR-10	20.00	18.00
2003PR-11	22.00	20.00
2003PR-12	24.00	22.00
2003PR-13	26.00	24.00
2003PR-14	28.00	26.00
2003PR-15	30.00	28.00
2003PR-16	32.00	30.00
2003PR-17	34.00	32.00
2003PR-18	36.00	34.00
2003PR-19	38.00	36.00
2003PR-20	40.00	38.00
2003PR-21	42.00	40.00

PART NO.	DIM"A"	DIM"B"
2003PR-22	44.00	42.00
2003PR-23	46.00	44.00
2003PR-24	48.00	46.00
2003PR-25	50.00	48.00
2003PR-26	52.00	50.00
2003PR-27	54.00	52.00
2003PR-28	56.00	54.00
2003PR-29	58.00	56.00
2003PR-30	60.00	58.00
2003PR-31	62.00	60.00
2003PR-32	64.00	62.00
2003PR-33	66.00	64.00
2003PR-34	68.00	66.00
2003PR-35	70.00	68.00
2003PR-36	72.00	70.00
2003PR-37	74.00	72.00
2003PR-38	76.00	74.00
2003PR-39	78.00	76.00
2003PR-40	80.00	78.00

PART NO.	DIM"A"	DIM"B"
2004PR-2X2	4.00	2.00
2004PR-2X3	6.00	4.00
2004PR-2X4	8.00	6.00
2004PR-2X5	10.00	8.00
2004PR-2X6	12.00	10.00
2004PR-2X7	14.00	12.00
2004PR-2X8	16.00	14.00
2004PR-2X9	18.00	16.00
2004PR-2X10	20.00	18.00
2004PR-2X11	22.00	20.00
2004PR-2X12	24.00	22.00
2004PR-2X13	26.00	24.00
2004PR-2X14	28.00	26.00
2004PR-2X15	30.00	28.00
2004PR-2X16	32.00	30.00
2004PR-2X17	34.00	32.00
2004PR-2X18	36.00	34.00
2004PR-2X19	38.00	36.00
2004PR-2X20	40.00	38.00

PART NO.	DIM"A"	DIM"B"
2004PR-2X22	44.00	42.00
2004PR-2X23	46.00	44.00
2004PR-2X24	48.00	46.00
2004PR-2X25	50.00	48.00
2004PR-2X26	52.00	50.00
2004PR-2X27	54.00	52.00
2004PR-2X28	56.00	54.00
2004PR-2X29	58.00	56.00
2004PR-2X30	60.00	58.00
2004PR-2X31	62.00	60.00
2004PR-2X32	64.00	62.00
2004PR-2X33	66.00	64.00
2004PR-2X34	68.00	66.00
2004PR-2X35	70.00	68.00
2004PR-2X36	72.00	70.00
2004PR-2X37	74.00	72.00
2004PR-2X38	76.00	74.00
2004PR-2X39	78.00	76.00
2004PR-2X40	80.00	78.00