

## 2561H SERIES

2.54mm PITCH WIRE TO BOARD CONNECTOR

### ● Specifications

Current rating: 3A AC,DC

Voltage rating: 250V AC,DC

Temperature range: -25° C to +85° C  
(including temperature rise)

Contact resistance: Initial value/10m Ω Max.

After environmental testing/20m Ω Max.

Insulation resistance: 500M Ω MIN.

Withstanding voltage: 1000V AC/minute

Applicable wire: AWG#24-28

### ● Standards

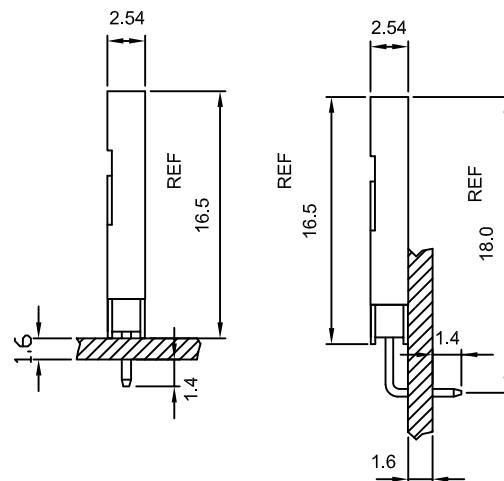
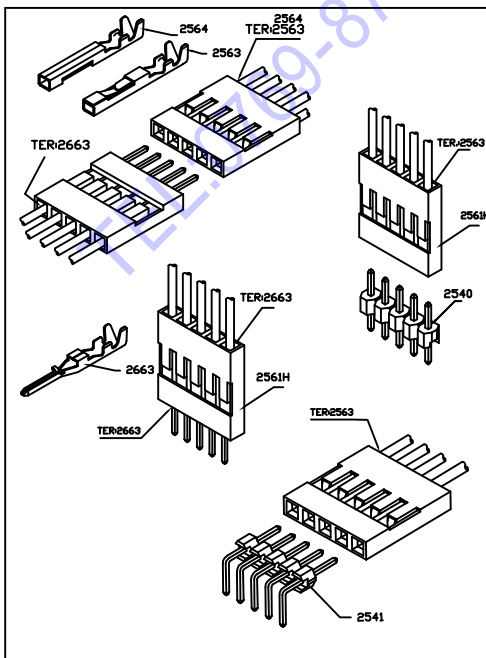


E115256



LR84767

### Assembly layout





## 2562 SERIES

2.54mm PITCH WIRE TO BOARD CONNECTOR

### ● Specifications

Current rating: 3A AC,DC

Voltage rating: 250V AC,DC

Temperature range: -25° C to+85° C

(including temperature rise)

Contact resistance: Initial value/10m  $\Omega$  Max.

After environmental testing/20m  $\Omega$  Max.

Insulation resistance: 500M  $\Omega$  MIN.

Withstanding voltage: 1000V AC/minute

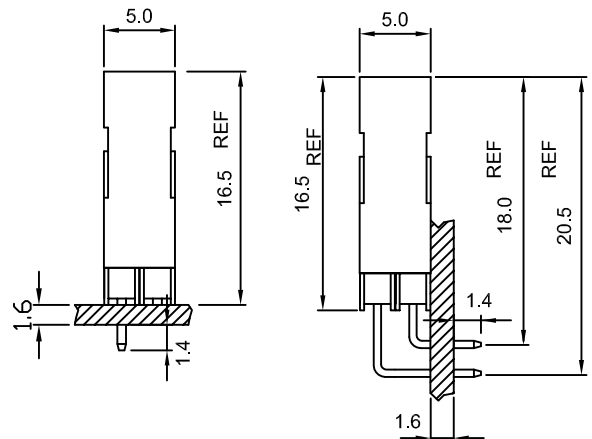
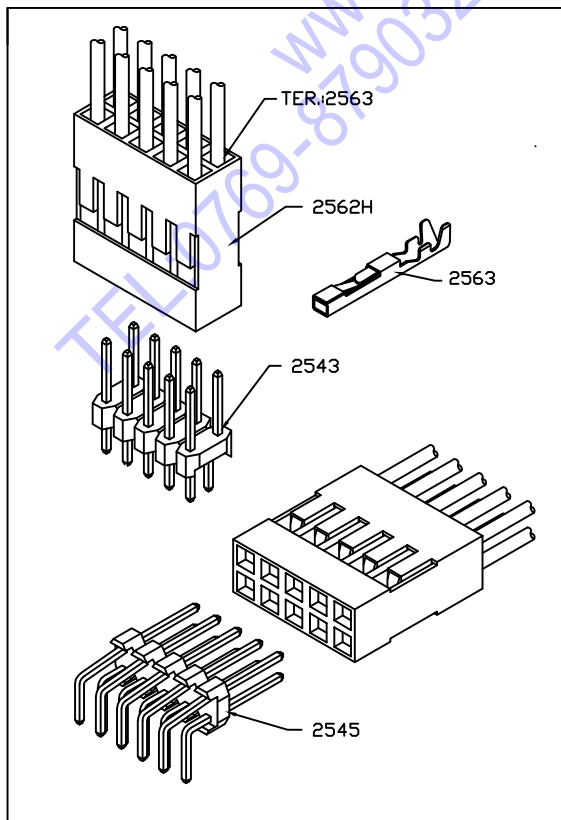
Applicable wire: AWG#24-28

### ● Standards



E115256

### Assembly layout





# 2561H-04K

2.54mm PITCH WIRE TO BOARD CONNECTOR

### Specifications

Current rating 7A AC,DC

Voltage rating 250V AC,DC

Temperature range 25°C to +85°C  
(including temperature rise)

Contact resistance Initial value/10m Ω Max.

After environmental testing/20m Ω Max.

Insulation resistance 500M Ω MIN.

Withstanding voltage 1000V AC/minute

Applicable wire AWG#24-28

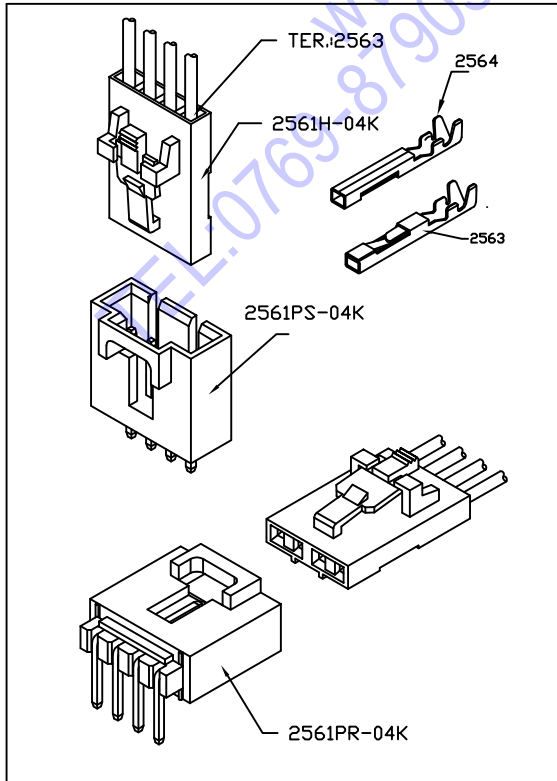
### Standards



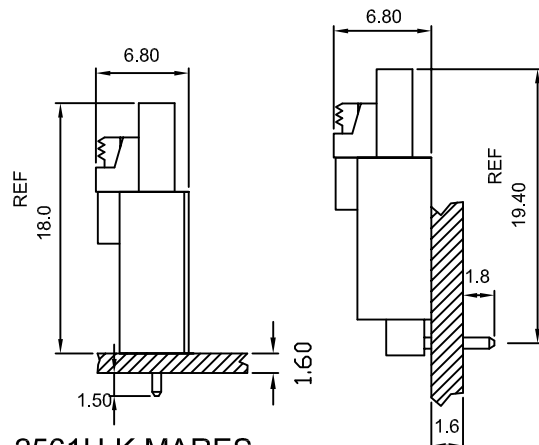
E115256



LR84767

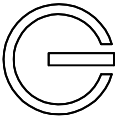


### Assembly layout



2561H-K MARES  
2561PS-K WAFER

2561H-K MARES  
2561PR-K WAFER



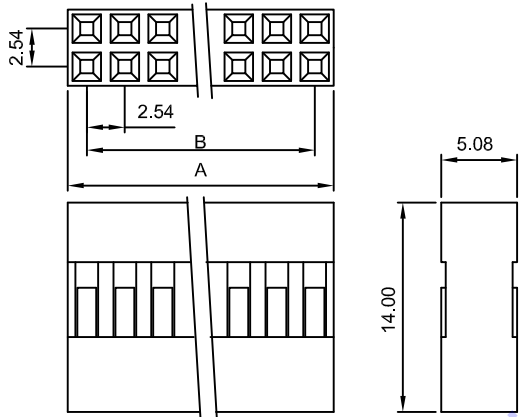
**2562** 2.54mm PITCH CRIMP HOUSING

**Features:**

MAT'L: NYLON 66 UL 94V-0  
 MATES WITH: 2563 2564 SERIES TERMINAL  
 ACCEPTS WITH: 2543 & 2545 SERIES WAFER

unit:mm

PART NO.	A	B
2562H-04 (2X2)	5.08	2.54
2562H-06 (2X3)	7.62	5.08
2562H-08 (2X4)	10.16	7.62
2562H-10 (2X5)	12.70	10.16
2562H-12 (2X6)	15.24	12.70
2562H-14 (2X7)	17.78	15.24
2562H-16 (2X8)	20.32	17.78
2562H-18 (2X9)	22.86	20.32
2562H-20 (2X10)	25.40	22.86
2562H-22 (2X11)	27.94	25.40
2562H-24 (2X12)	30.48	27.94
2562H-26 (2X13)	33.02	30.48
2562H-28 (2X14)	35.56	33.02
2562H-30 (2X15)	38.10	35.56
2562H-32 (2X16)	40.64	38.10
2562H-34 (2X17)	43.18	40.64
2562H-36 (2X18)	45.72	43.18
2562H-38 (2X19)	48.26	45.72
2562H-40 (2X20)	50.80	48.26



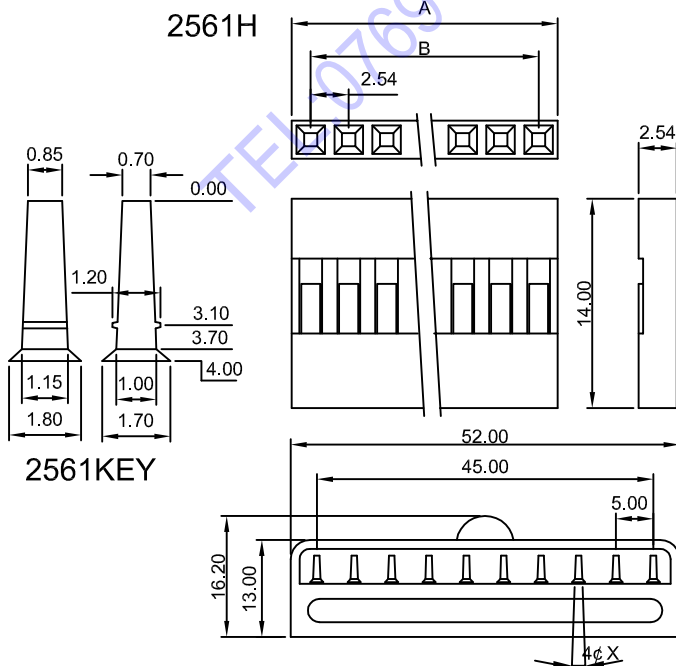
**2561H 2561KEY** 2.54mm PITCH CRIMP HOUSING

**Features:**

MAT'L: NYLON 66 UL 94V-0  
 MATES WITH: 2563 2564 SERIES TERMINAL  
 ACCEPTS WITH: 2540 & 2541 SERIES WAFER

unit:mm

PART NO.	A	B	PART NO.	A	B
2561H-01	2.54	0.00	2561H-21	53.34	50.80
2561H-02	5.08	2.54	2561H-22	55.88	53.34
2561H-03	7.62	5.08	2561H-23	58.42	55.88
2561H-04	10.16	7.62	2561H-24	60.96	58.42
2561H-05	12.70	10.16	2561H-25	63.05	60.96
2561H-06	15.24	12.70	2561H-26	66.04	63.05
2561H-07	17.78	15.24	2561H-27	68.58	66.04
2561H-08	20.32	17.78	2561H-28	71.12	68.58
2561H-09	22.86	20.32	2561H-29	73.66	71.12
2561H-10	25.40	22.86	2561H-30	76.20	73.66
2561H-11	27.94	25.40	2561H-31	78.74	76.20
2561H-12	30.48	27.94	2561H-32	81.28	78.74
2561H-13	33.02	30.48	2561H-33	83.82	81.28
2561H-14	35.56	33.02	2561H-34	86.36	83.82
2561H-15	38.10	35.56	2561H-35	88.90	86.36
2561H-16	40.64	38.10	2561H-36	91.44	88.90
2561H-17	43.18	40.64	2561H-37	93.98	91.44
2561H-18	45.72	43.18	2561H-38	96.52	93.98
2561H-19	48.26	45.72	2561H-39	99.06	96.52
2561H-20	50.80	48.26	2561H-40	101.6	99.06





## 2561H-04K 2.54mm PITCH CRIMP HOUSING

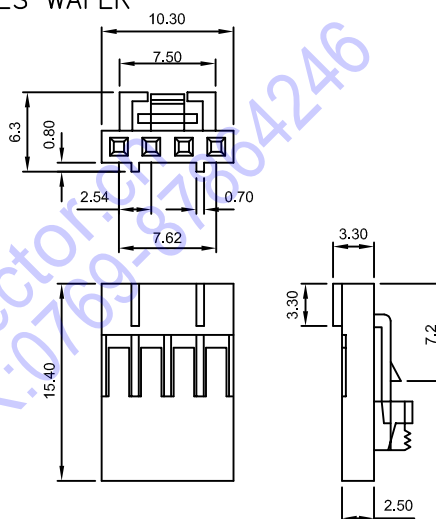
### Features:

MAT'L: PBT UL94 V-0

unit:mm

MATES WITH: 2563 2564 SERIES TERMINAL

ACCEPTS WITH: 2561PS-04K OR 2561PR-04K SERIES WAFER



## 2563 2.54mm PITCH CRIMP TERMINAL

### Features:

THICKNESS: 0.2mm

MAT'L: BRASS OR PHOSPHOR BRONZE GOLD PLATED

MATES WITH: 2663 SERIES TERMINAL

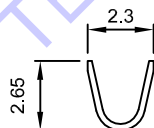
ACCEPTS WITH: 2561H & 2562H & 2561H-04K SERIES HOUSING

ACCEPTS WITH: 2540 2541 2543 2545 SERIES WAFER

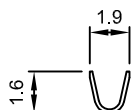
ACCEPTS WITH: 2561PS-04K 2561PR-04K WAFER

ACCEPTS WITH: 0.64(.025") SQUARE PIN

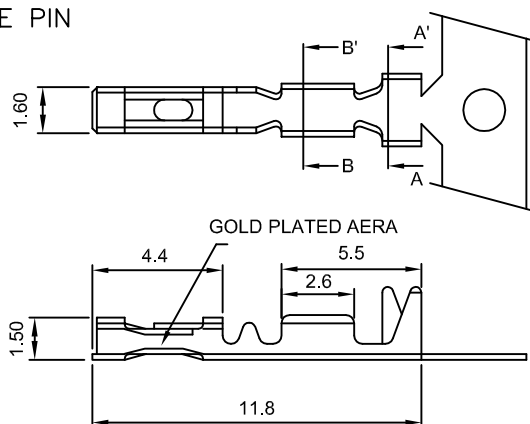
unit:mm



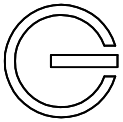
Section A-A'



Section B-B'



Part No	Wire Range	Insulation O.D.	Material	Finish	Qty/reel
2563	AWG#24-#26	ø1.2~ø1.0	Brass	GOLD PLATED- OVER NIKEL	10,000
2563-P	AWG#24-#26	ø1.2~ø1.0	Phosphor bronze	GOLD PLATED- OVER NIKEL	10,000

**2564**

2.54mm PITCH TERMINAL

**Features:**

THICKNESS: 0.2mm

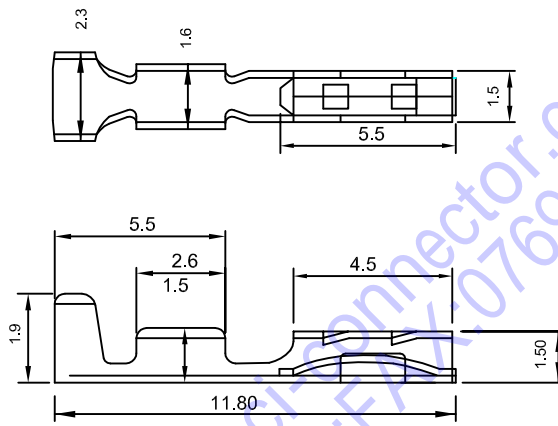
MAT'L: PHOSPHOR BRONZE GOLD PLATED

ACCEPTS WITH: 2561H &amp; 2562H &amp; 2561H-04K SERIES HOUSING

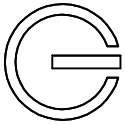
ACCEPTS WITH: 2540 2541 2543 2545 SERIES WAFER

ACCEPTS WITH: 2561PS-04K 2561PR-04K WAFER

ACCEPTS WITH: 0.64(.025") SQUARE PIN



Part No	Wire Range	Insulation O.D.	Material	Finish	Qty/reel
2564	AWG#24-#28	ø1.2~ø1.0	Phosphor Bronze	GOLD PLATED- OVER NIKEL	10,000



**2540 2543 2.54mm PITCH 180° WAFER**

**Features:**

MAT'L: BODY: PBT 94V-0

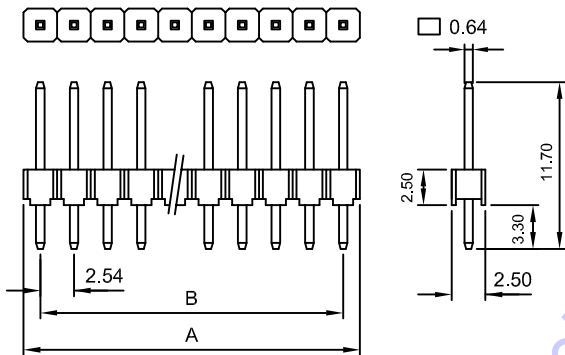
PINS: BRASS GOLD PLATED

MATES WITH: 2551 2563 2564 SERIES TERMINAL

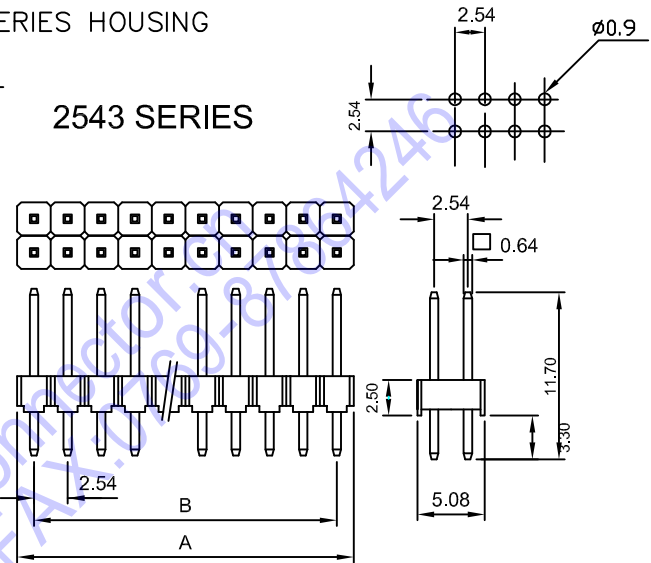
ACCEPTS WITH: 2561 2550 & 2562H SERIES HOUSING

unit:mm

**2540 SERIES**



**2543 SERIES**



PART NO.	DIM"A"	DIM"B"
2540-02	5.08	2.54
2540-03	7.62	5.08
2540-04	10.16	7.62
2540-05	12.70	10.16
2540-06	15.24	12.70
2540-07	17.78	15.24
2540-08	20.32	17.78
2540-09	22.86	20.32
2540-10	25.40	22.86
2540-11	27.94	25.40
2540-12	30.48	27.94
2540-13	33.02	30.48
2540-14	35.56	33.02
2540-15	38.10	35.56
2540-16	40.64	38.10
2540-17	43.18	40.64
2540-18	45.72	43.18
2540-19	48.26	45.72
2540-20	50.80	48.26

PART NO.	DIM"A"	DIM"B"
2540-21	53.34	50.80
2540-22	55.88	53.34
2540-23	58.42	55.88
2540-24	60.96	58.42
2540-25	63.50	60.96
2540-26	66.04	63.50
2540-27	68.58	66.04
2540-28	71.12	68.58
2540-29	73.66	71.12
2540-30	76.20	73.66
2540-31	78.74	76.20
2540-32	81.28	78.74
2540-33	83.82	81.28
2540-34	86.36	83.82
2540-35	88.90	86.36
2540-36	91.44	88.90
2540-37	93.98	91.44
2540-38	96.52	93.98
2540-39	99.06	96.52
2540-40	101.60	99.06

PART NO.	DIM"A"	DIM"B"
2543-04(2X2)	5.08	2.54
2543-06(2X3)	7.62	5.08
2543-08(2X4)	10.16	7.62
2543-10(2X5)	12.70	10.16
2543-12(2X6)	15.24	12.70
2543-14(2X7)	17.78	15.24
2543-16(2X8)	20.32	17.78
2543-18(2X9)	22.86	20.32
2543-20(2X10)	25.40	22.86
2543-22(2X11)	27.94	25.40
2543-24(2X12)	30.48	27.94
2543-26(2X13)	33.02	30.48
2543-28(2X14)	35.56	33.02
2543-30(2X15)	38.10	35.56
2543-32(2X16)	40.64	38.10
2543-34(2X17)	43.18	40.64
2543-36(2X18)	45.72	43.18
2543-38(2X19)	48.26	45.72
2543-40(2X20)	50.80	48.26

PART NO.	DIM"A"	DIM"B"
2543-42(2X21)	53.34	50.80
2543-44(2X22)	55.88	53.34
2543-46(2X23)	58.42	55.88
2543-48(2X24)	60.96	58.42
2543-50(2X25)	63.50	60.96
2543-52(2X26)	66.04	63.50
2543-54(2X27)	68.58	66.04
2543-56(2X28)	71.12	68.58
2543-58(2X29)	73.66	71.12
2543-60(2X30)	76.20	73.66
2543-62(2X31)	78.74	76.20
2543-64(2X32)	81.28	78.74
2543-66(2X33)	83.82	81.28
2543-68(2X34)	86.36	83.82
2543-70(2X35)	88.90	86.36
2543-72(2X36)	91.44	88.90
2543-74(2X37)	93.98	91.44
2543-76(2X38)	96.52	93.98
2543-78(2X39)	99.06	96.52
2543-80(2X40)	101.60	99.06



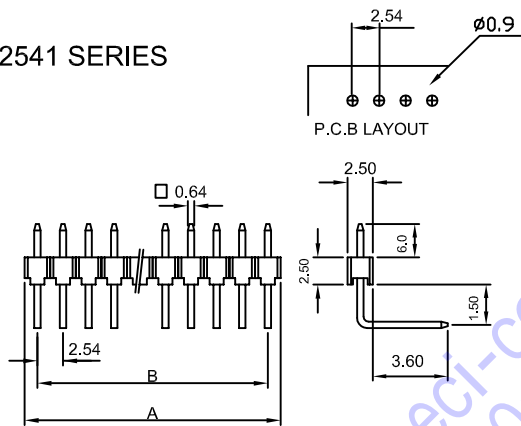
# 2541 2545 2.54mm PITCH 90° WAFER

## Features:

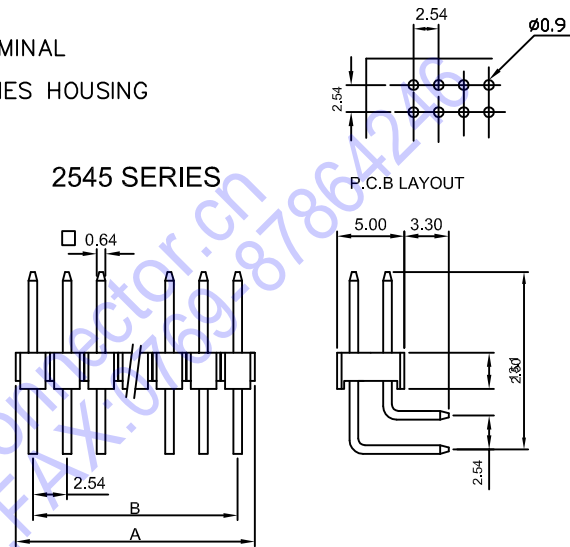
- MAT'L: BODY: PBT 94V-0  
PINS: BRASS GOLD PLATED
- MATES WITH: 2551 2563 2564 SERIES TERMINAL
- ACCEPTS WITH: 2550 2561H & 2562H SERIES HOUSING

unit:mm

### 2541 SERIES



### 2545 SERIES



PART NO.	DIM"A"	DIM"B"
2541-02	5.08	2.54
2541-03	7.62	5.08
2541-04	10.16	7.62
2541-05	12.70	10.16
2541-06	15.24	12.70
2541-07	17.78	15.24
2541-08	20.32	17.78
2541-09	22.86	20.32
2541-10	25.40	22.86
2541-11	27.94	25.40
2541-12	30.48	27.94
2541-13	33.02	30.48
2541-14	35.56	33.02
2541-15	38.10	35.56
2541-16	40.64	38.10
2541-17	43.18	40.64
2541-18	45.72	43.18
2541-19	48.26	45.72
2541-20	50.80	48.26

PART NO.	DIM"A"	DIM"B"
2541-21	53.34	50.80
2541-22	55.88	53.34
2541-23	58.42	55.88
2541-24	60.96	58.42
2541-25	63.50	60.96
2541-26	66.04	63.50
2541-27	68.58	66.04
2541-28	71.12	68.58
2541-29	73.66	71.12
2541-30	76.20	73.66
2541-31	78.74	76.20
2541-32	81.28	78.74
2541-33	83.82	81.28
2541-34	86.36	83.82
2541-35	88.90	86.36
2541-36	91.44	88.90
2541-37	93.98	91.44
2541-38	96.52	93.98
2541-39	99.06	96.52
2541-40	101.60	99.06

PART NO.	DIM"A"	DIM"B"
2545-04(2X2)	5.08	2.54
2545-06(2X3)	7.62	5.08
2545-08(2X4)	10.16	7.62
2545-10(2X5)	12.70	10.16
2545-12(2X6)	15.24	12.70
2545-14(2X7)	17.78	15.24
2545-16(2X8)	20.32	17.78
2545-18(2X9)	22.86	20.32
2545-20(2X10)	25.40	22.86
2545-22(2X11)	27.94	25.40
2545-24(2X12)	30.48	27.94
2545-26(2X13)	33.02	30.48
2545-28(2X14)	35.56	33.02
2545-30(2X15)	38.10	35.56
2545-32(2X16)	40.64	38.10
2545-34(2X17)	43.18	40.64
2545-36(2X18)	45.72	43.18
2545-38(2X19)	48.26	45.72
2545-40(2X20)	50.80	48.26

PART NO.	DIM"A"	DIM"B"
2545-42(2X21)	53.34	50.80
2545-44(2X22)	55.88	53.34
2545-46(2X23)	58.42	55.88
2545-48(2X24)	60.96	58.42
2545-50(2X25)	63.50	60.96
2545-52(2X26)	66.04	63.50
2545-54(2X27)	68.58	66.04
2545-56(2X28)	71.12	68.58
2545-58(2X29)	73.66	71.12
2545-60(2X30)	76.20	73.66
2545-62(2X31)	78.74	76.20
2545-64(2X32)	81.28	78.74
2545-66(2X33)	83.82	81.28
2545-68(2X34)	86.36	83.82
2545-70(2X35)	88.90	86.36
2545-72(2X36)	91.44	88.90
2545-74(2X37)	93.98	91.44
2545-76(2X38)	96.52	93.98
2545-78(2X39)	99.06	96.52
2545-80(2X40)	101.60	99.06